

• **EIS** ENERGY SAVE

**ES Heat pumps  
Spare parts catalogue  
Version 8.6**

AW-R32-M  
NP-V7-S



# Contents

- Serial number Index** ..... **3**
- Alternative** ..... **3**
- 1 AW-R32-M** ..... **4**
  - 1.1 Indoor units ..... 4
    - AWC6/19-R32-M – 120295 ..... 4
    - AWT6/12-R32-M - 120296..... 5
    - AWST6/12-R32-M - 120329 ..... 7
  - 1.2 Outdoor units ..... 9
    - AW6-R32-M – 120290..... 9
    - AW9-R32-M - 120291..... 11
    - AW12-R32-M – 120292 ..... 13
    - AW15-R32-M – 120293 ..... 15
    - AW19-R32-M – 120294 ..... 17
- 2 NP-V7-S**..... **19**
  - 2.1 Indoor units ..... 19
    - NPH-V7-S - 120270, 120274, 120279 ..... 19
    - NPT-V7-S - 120271, 120275, 120280..... 21
    - NPET-V7-S - 120272, 120276, 120281 ..... 23
  - 2.2 Outdoor units ..... 25
    - NP6-V7-S – 120273..... 25
    - NP9-V7-S - 120277 ..... 27
    - NP11-V7-S - 120278 ..... 29
    - NP13-V7-S - 120282 ..... 31

# Serial number Index

---

Please note that some heat pumps might contain an so called Index number that you can find on the end of the serial number, as a two digit index.

Example:

Serial number without Index: 120292-220310-5001

Serial number with Index: 120292-220310-5001-01

## **Meaning of Index number:**

The index number is there to indicate that the unit uses a spare parts that is not interchangeable with the part that the unit without Index uses. Reason might be shortage of materials, components, that forced ES to use alternatives of equally quality, but with a different installation structure.

## **How to use the Index number:**

This Spare parts catalogue contains an extra column that has specified what spare part to use if the serial number of the unit contains an Index number.

# Alternative

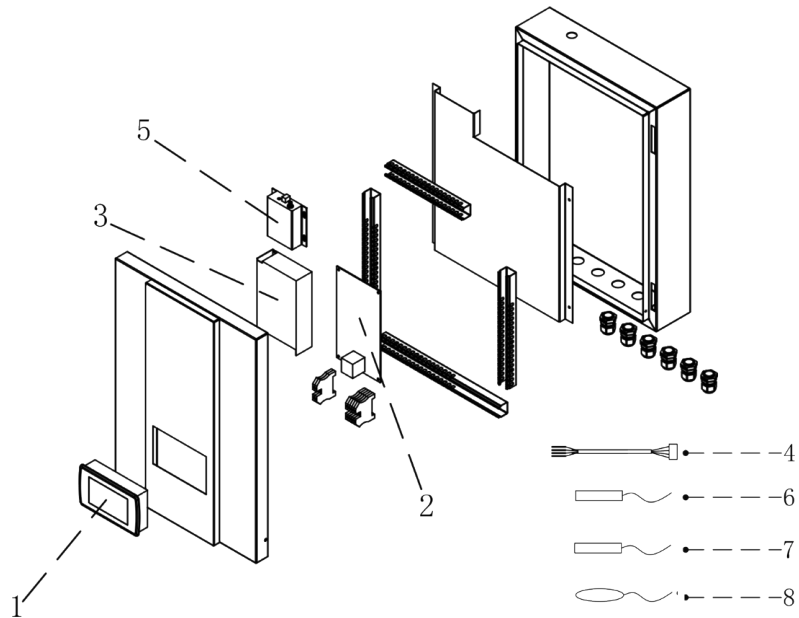
---

This spare parts catalogue contains also alternative spare parts. If there is an alternative to the original spare parts, it will be listed below the original spare parts and will have a remark "Alternative".

# 1 AW-R32-M

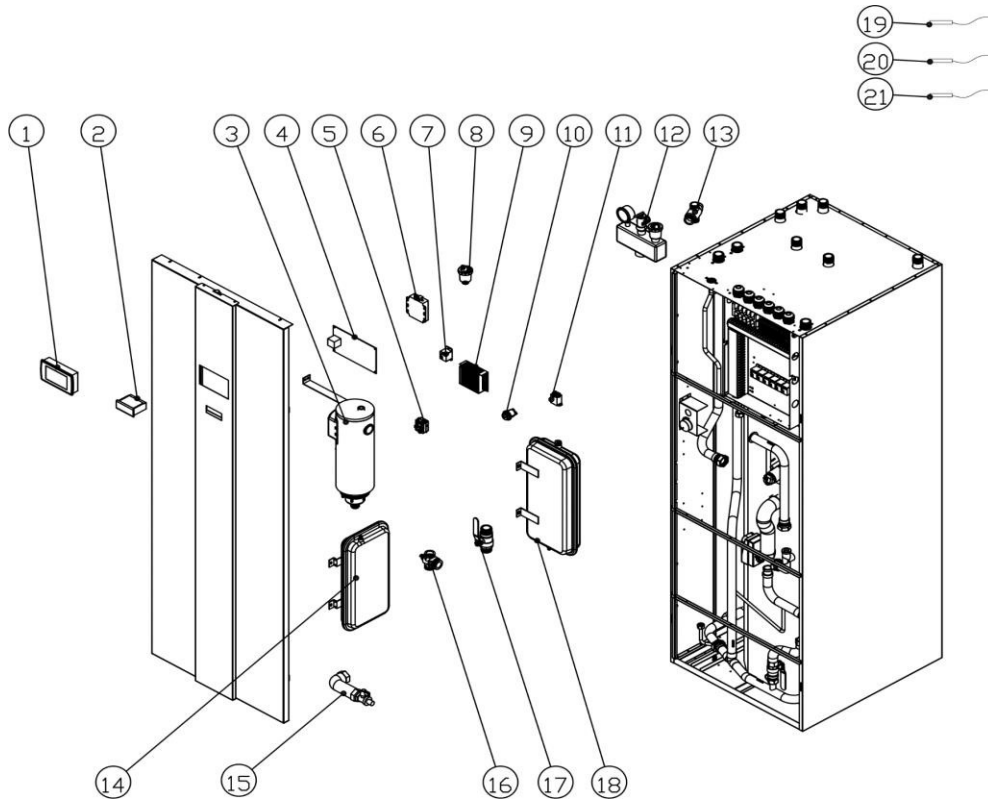
## 1.1 Indoor units

### AWC6/19-R32-M – 120295



	Article number	Part name	Index number
	1	SP201001	Operation panel - Touch screen - V2 – V3
<b>Alternative 1</b>	1.1	SP230035	Operation panel - Touch screen - V2 – WLT-043R-NP00
	2	SP201002	PCB Indoor
<b>Alternative 1</b>	2.1	SP230005	PCB Indoor - V2
	3	SP201003	Transformer - 230VAC / 24VDC 2,2A LRS-50-24
	4	SP201023	Cable - WiFi module to Controller
	5	SP201012	Wi-Fi module with Antenna - WIFI232-602,RS232
	6	SP210007	Temp. sensor - PT1000, TC/TW, with connector
	7	SP202002	Temp. sensor - NTC5K, TV1/TV2, L=1,8m, Copper, with connector
	8	SP202003	Temp. sensor - NTC5K, TR, L=1,8m, Rubber, with connector
		SP210016	Front door - AWC6/19-R32-M

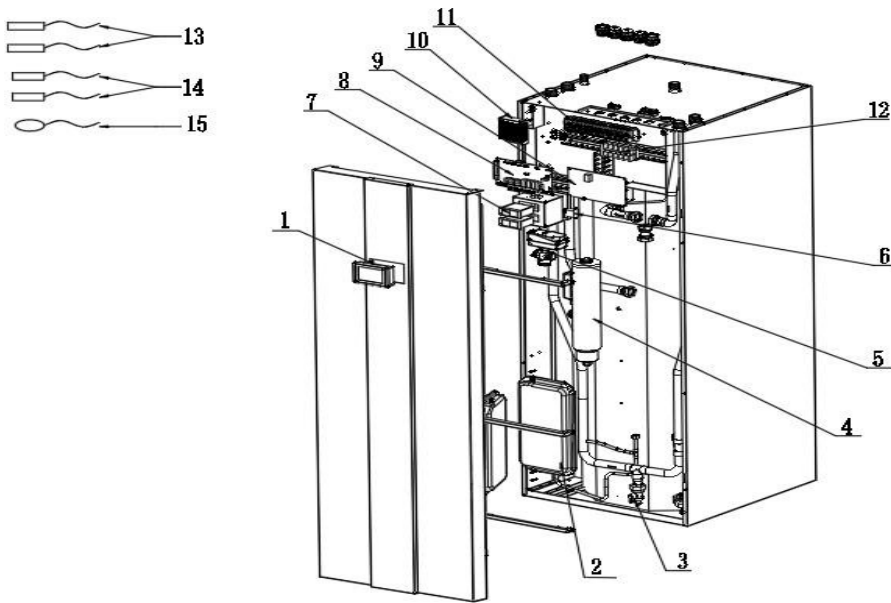
# AWT6/12-R32-M - 120296



Article number	Part name	Index number
<b>1</b>	SP201001 Operation panel - Touch screen - V2 – V3	
<b>1.1</b>	SP230035 Operation panel - Touch screen - V2 – WLT-043R-NP00	
<b>Alternative 1</b>		
<b>2</b>	SP201020 Digital thermostat - WS-311H	
	SP201024 Heating element 3x1kW, DN40, 270mm	
<b>3</b>	SP201025 Heating element 3x2kW, DN40, 270mm	
	SP201026 Heating element 3x3kW, DN40, 270mm	
<b>4</b>	SP201002 PCB Indoor	
<b>4.1</b>	SP230005 PCB Indoor - V2	-01
<b>Alternative 1</b>		
<b>5</b>	SP201005 Thermostat Mechanical - WYG P-002,16A,250V,30°C~75°C	
<b>6</b>	SP201012 Wi-Fi module with Antenna - WIFI232-602,RS232	
<b>7</b>	SP201009 Relay - JQX-105F-4/220AK-1HST(555) - NO	
<b>8</b>	SP203008 Air purging valve - Automatic G1/2" male,6301,10bar-110°C	
<b>9</b>	SP201003 Transformer - 230VAC / 24VDC 2,2A LRS-50-24	
<b>10</b>	SP201007 Button - electrical switch	

<b>11</b>	SP201013	Relay - JQX-13F/A220-2Z5
<b>12</b>	SP203011	Safety valve kit - Afrisio T/P valve
<b>13</b>	SP203025	Hot water mixing valve - LK, 551 HydroMix 22 klk, 35-55 degrees
<b>14</b>	SP203010	Expansion vessel 5L
<b>15</b>	SP203024	Drainage valve
	066060	Valve motor LK EMV110M-3V SPST, 230V
<b>16</b>	066106	Devirting valve LK 525 MultiZone G1" 3V
	066232	Cabel LK Molex 3x0,75-2000 mm
<b>17</b>	SP203006	Ball valve - Q21F-20T,206A,G1"
<b>18</b>	SP203009	Expansion vessel 6L
<b>19</b>	SP210007	Temp. sensor - PT1000, TC/TW, with connector
<b>20</b>	SP202002	Temp. sensor - NTC5K, TV1/TV2, L=1,8m, Copper, with connector
<b>21</b>	SP202003	Temp. sensor - NTC5K, TR, L=1,8m, Rubber, with connector
	SP203004	Magnesium rod - L=G3/4"-300mm
	SP201004	Overheating Protector - 1NT08L-7544, 90°C cut off, 25A, manual reset
	SP201014	Electric Heater - 0,5 kW,G1", 230V
	SP203015	Tank - Stainless steel, 250 L, 2,7 m2 Coil, 600x1780x680
	SP209952	Front panel for AWT6/12-R32-M

## AWST6/12-R32-M - 120329



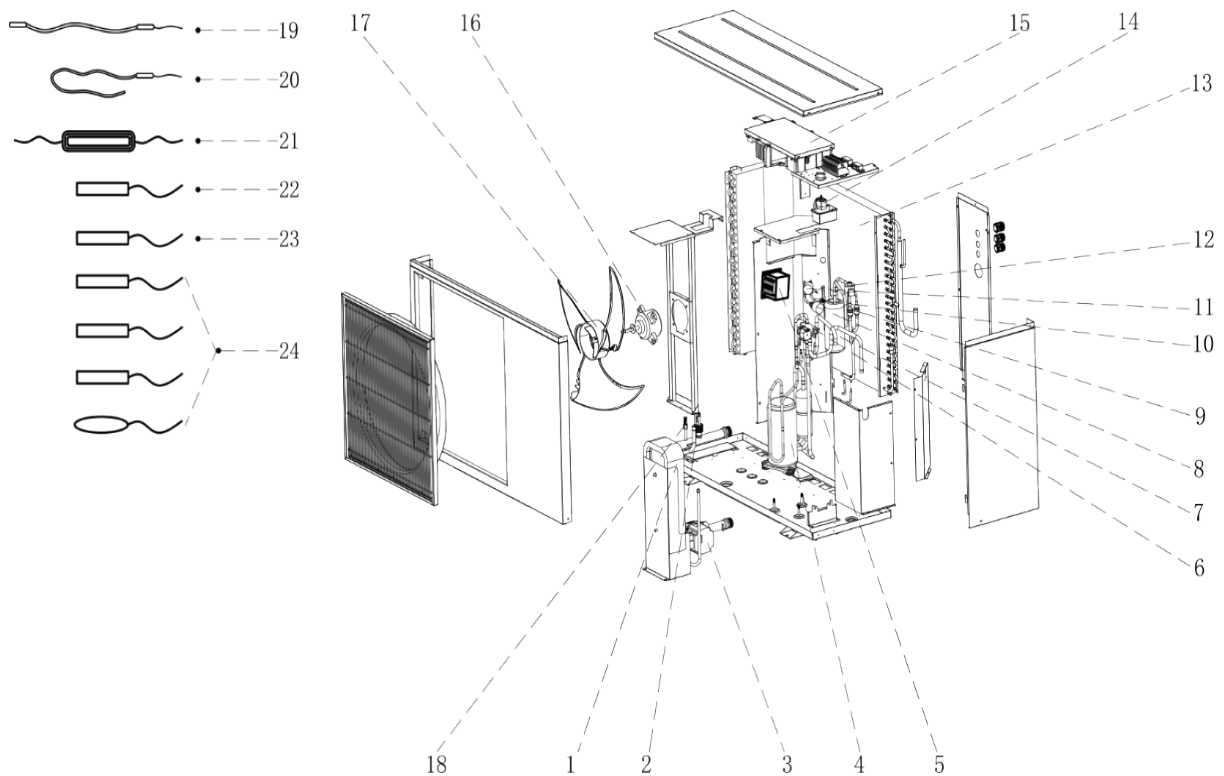
	Article number	Part name	Index number
	1	SP201001	Operation panel - Touch screen - V2 – V3
	1.1	SP230035	Operation panel - Touch screen - V2 – WLT-043R-NP00
<b>Alternative 1</b>			
	2	SP203010	Expansion vessel 5L
	3	SP203024	Drainage valve
		SP230002	Heating element 9kW, AWST-R32-V6&8
	4	SP210068	Electrical heater-cylinder with isolation-AWST6/15-R32-V6&8
		SP210067	Electrical heater-Complete set-AWST6/15-R32-V6&8
		66060	Valve motor LK EMV110M-3V SPST, 230V
	5	66106	Devirting valve LK 525 MultiZone G1" 3V
		66232	Cabel LK Molex 3x0,75-2000 mm
	6	SP201013	Relay - JQX-13F/A220-2Z5
	7	SP201020	Digital thermostat - WS-311H
	8	SP201002	PCB Indoor

<b>8.1 Alternative 1</b>	SP230005	PCB Indoor - V2	-01
<b>9</b>	SP210062	PCB - EM Relay board	
<b>10</b>	SP201003	Transformer - 230VAC / 24VDC 2,2A LRS-50-24	
<b>13</b>	SP210007	Temp. sensor - PT1000, TC/TW, with connector	
<b>14</b>	SP202002	Temp. sensor - NTC5K, TV1/TV2, L=1,8m, Copper, with connector	
<b>15</b>	SP202003	Temp. sensor - NTC5K, TR, L=1,8m, Rubber, with connector	
	SP201004	Overheating Protector - 1NT08L-7544, 90°C cut off, 25A, manual reset	



## 1.2 Outdoor units

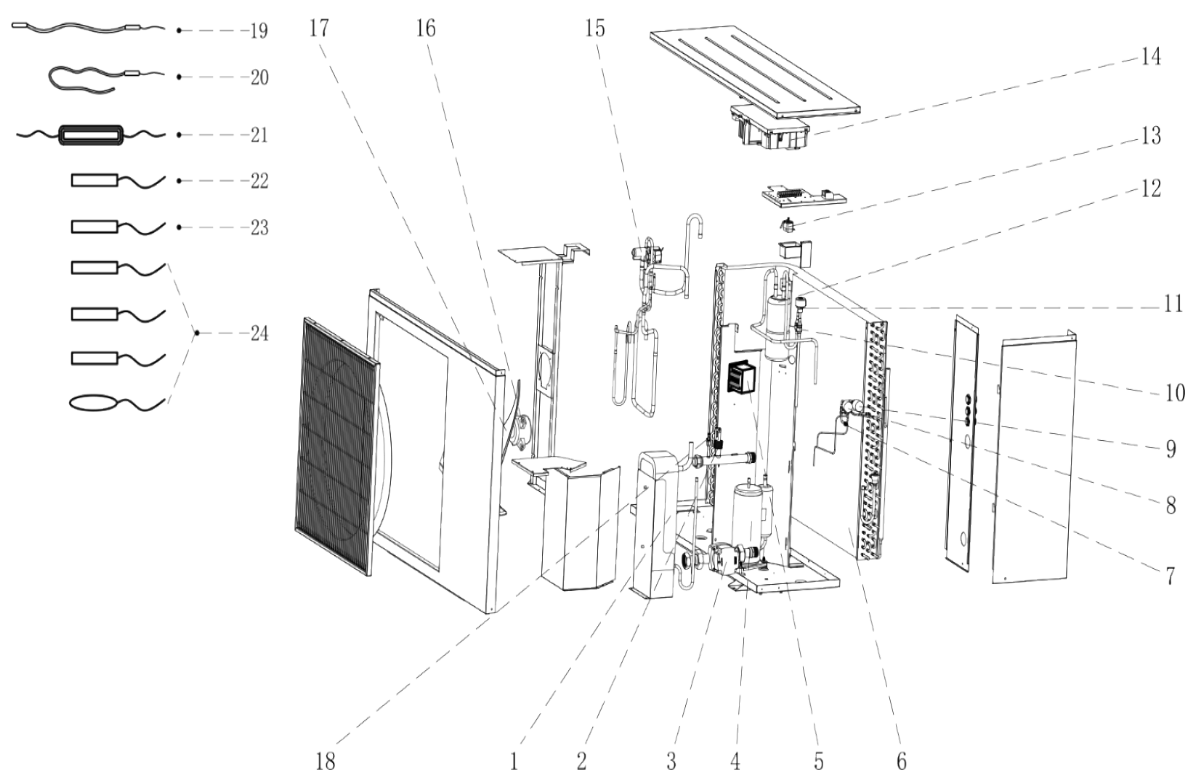
### AW6-R32-M – 120290



	Article number	Part name	Index number
	1	SP204464	Plate heat exchanger - SWEP,26H×20/1P-SC-M - 6 kW
	2	SP209953	Flow switch - 3/4", L=1,5m, end sleeves
	3	SP203021	Water Pump - Wilo Para 25-130/9-87/IPWM1
<b>3.1 Alternative 1</b>	SP210073	Water Pump - SHIMGE-APM25-9-130- AW6/12-R32-M	
	4	SP207703	Compressor - Mitsubishi SVB140FCAMC
	5	SP201122	PFC transducer
	6	SP204406	Four-way valve, SHF-7H-34U-P
		SP204478	Four-way valve coil - SQ-A2522G-000190
	7	SP204481	Liquid receiver tank - CYQ-KL9.6S, 0.7L
	8	SP204402	Low pressure sensor - 35CP02-03158020XS00F5H
	9	SP204470	Filter - Refrigerant - Φ9.7 - Φ6.7 female
	11	SP204401	High pressure sensor - 35CP02-06158050XS00F5H
	12	SP204471	EEV - DPF(T01)1.3C-01

	SP204475	EEV Coil - PQ-M10012-000060, L=1,2m	
<b>13</b>	SP204465	Evaporator - 268,5x726x650	
<b>14</b>	SP201136	Thermostat Mechanical - WY20A	
<b>15</b>	SP201124	PCB - Main board - Out 6kW -R32	
<b>15.1</b>	SP210012	PCB - Main board - Out 6kW -R32 - MGMT	<b>-01</b>
<b>16</b>	SP201132	Fan motor - SIC-65FV-F162-1,DC310V,8P,60W	
<b>17</b>	SP208802	Axial fan blade, Ø496×139	
<b>18</b>	SP203022	Air purging valve	
<b>19</b>	SP201133	Compressor heater - L=1000mm, 30w	
<b>20</b>	SP201134	Bottom plate heater - L=900mm, 140W	
<b>21</b>	SP201137	Heater - plate heat exchanger - L=1000mm, 80w	
<b>22</b>	SP202006	Temp. sensor - PT1000; Tui/ Tuo, L=1,0m, without connector	
<b>23</b>	SP202007	Temp. sensor - NTC5K; Tup/Ts, L=1,1m, without connector	
<b>24</b>	SP202005	Temp. sensor SET with connector - Ta/Ts/Td/Tp	
<b>25</b>	SP202008	Temp. sensor - NTC5K; Tui/Tup(V5+), L=1,8m, without connector	

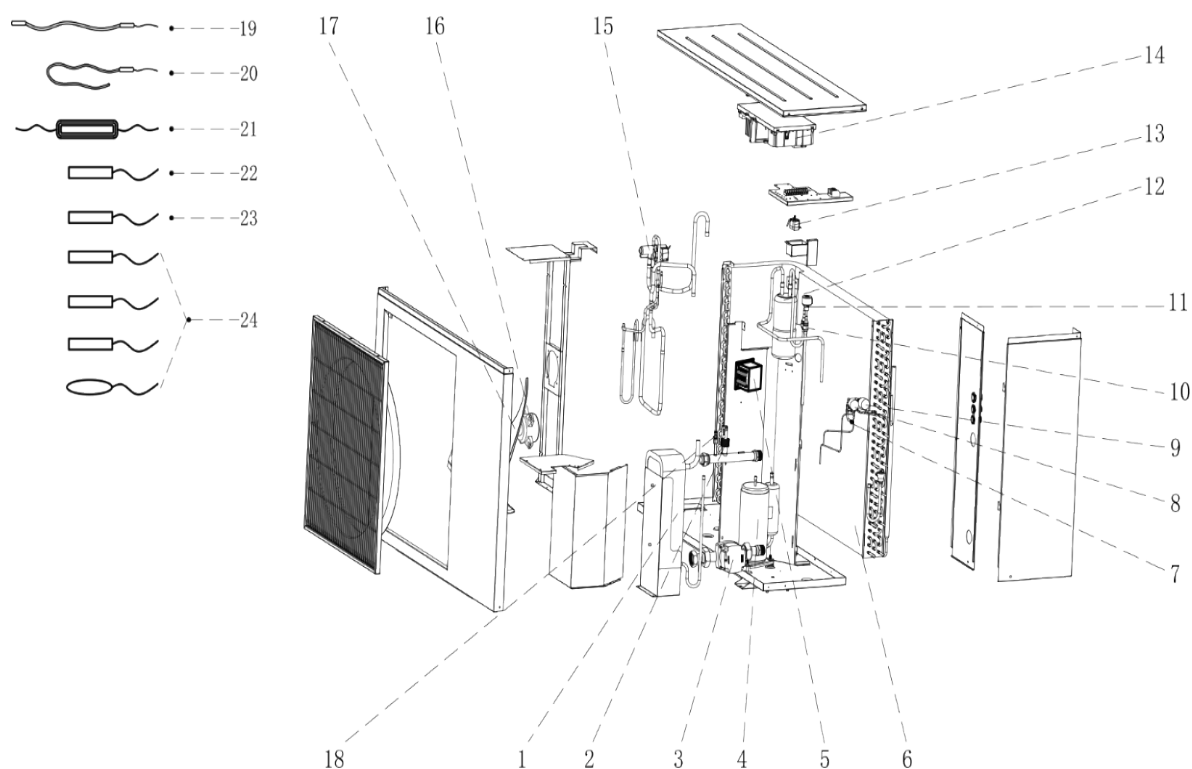
## AW9-R32-M - 120291



	Article number	Part name	Index number
	1	SP204484	Plate heat exchanger - SWEP B26H×28/1P-SC-M - 9 kW
	2	SP209953	Flow switch - 3/4", L=1,5m, end sleeves
	3	SP203021	Water Pump - Wilo Para 25-130/9-87/IPWM1
<b>3.1 Alternative 1</b>	SP210073	Water Pump - SHIMGE - APM25-9-130/180 PWM1	
	4	SP207704	Compressor - Mitsubishi SVB172FNPMC
	5	SP201122	PFC transducer
	6	SP204466	Evaporator 305x860x800
	8	SP204402	Low pressure sensor - 35CP02-03158020XS00F5H
	9	SP204401	High pressure sensor - 35CP02-06158050XS00F5H
	10	SP204470	Filter - Refrigerant - Φ9.7 - Φ6.7 female
	11	SP204472	EEV - DPF(TS1)1.65C-41
	11	SP204475	EEV Coil - PQ-M10012-000060, L=1,2m
	12	SP204482	Liquid receiver tank - 145VW-B04-S, 1.3L
	13	SP201136	Thermostat Mechanical - WY20A

<b>14</b>	SP201125	PCB - Main board - Out 9kW -R32	
<b>14.1</b>	SP210013	PCB - Main board - Out 9kW -R32 - MGMT	<b>-01</b>
<b>15</b>	SP204406	Four-way valve, SHF-7H-34U-P	
	SP204478	Four-way valve coil - SQ-A2522G-000190	
<b>16</b>	SP201132	Fan motor - SIC-65FV-F162-1,DC310V,8P,60W	
<b>17</b>	SP208803	Axial fan blade - Ø550×124	
<b>18</b>	SP203022	Air purging valve	
<b>19</b>	SP201133	Compressor heater - L=1000mm, 30w	
<b>20</b>	SP201134	Bottom plate heater - L=900mm, 140W	
<b>21</b>	SP201137	Heater - plate heat exchanger - L=1000mm, 80w	
<b>22</b>	SP202006	Temp. sensor - PT1000; Tui/ Tuo, L=1,0m, without connector	
<b>23</b>	SP202007	Temp. sensor - NTC5K; Tup/Ts, L=1,1m, without connector	
<b>24</b>	SP202005	Temp. sensor SET with connector - Ta/Ts/Td/Tp	
<b>25</b>	SP202008	Temp. sensor - NTC5K; Tui/Tup(V5+), L=1,8m, without connector	
	SP210017	Top cover - AW9/12-R32-M	

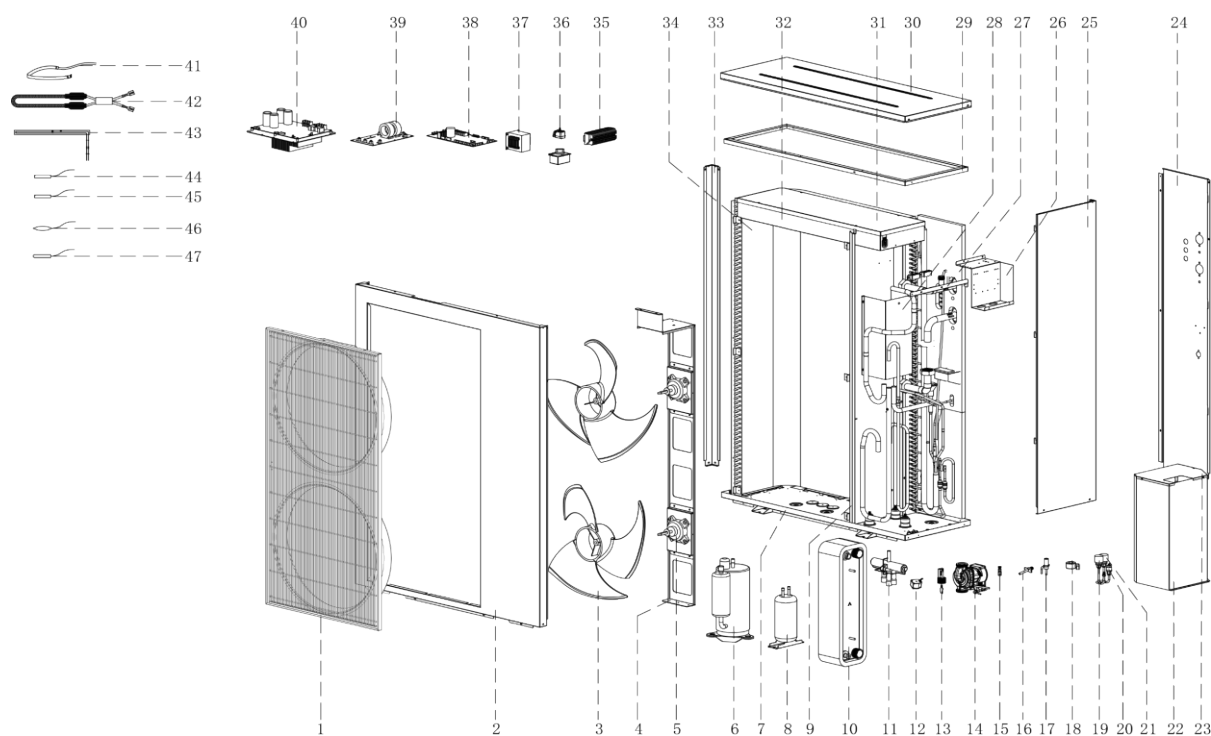
## AW12-R32-M – 120292



	Article number	Part name	Index number
	1	SP204485	Plate heat exchanger - SWEP B26H×34/1P-SC-M - 12kW
	2	SP209953	Flow switch - 3/4", L=1,5m, end sleeves
	3	SP203021	Water Pump - Wilo Para 25-130/9-87/IPWM1
<b>3.1 Alternative 1</b>	SP210073	Water Pump - SHIMGE - APM25-9-130/180 PWM1	
	4	SP207705	Compressor - Mitsubishi SVB220FLGMC-L
	5	SP201122	PFC transducer
	6	SP204467	Evaporator - 305x860x800
	8	SP204402	Low pressure sensor - 35CP02-03158020XS00F5H
	9	SP204401	High pressure sensor - 35CP02-06158050XS00F5H
	10	SP204470	Filter - Refrigerant - Φ9.7 - Φ6.7 female
	11	SP204473	EEV - DPF(T01)1.8C-08
	11	SP204475	EEV Coil - PQ-M10012-000060, L=1,2m
	12	SP204482	Liquid receiver tank - 145VW-B04-S, 1.3L
	13	SP201136	Thermostat Mechanical - WY20A

<b>14</b>	SP201126	PCB - Main board - Out 12kW -R32	
<b>14.1</b>	SP210014	PCB - Main board - Out 12kW -R32 - MGMT	<b>-01</b>
<b>15</b>	SP204406	Four-way valve, SHF-7H-34U-P	
	SP204478	Four-way valve coil - SQ-A2522G-000190	
<b>16</b>	SP201132	Fan motor - SIC-65FV-F162-1,DC310V,8P,60W	
<b>17</b>	SP208803	Axial fan blade - Ø550×124	
<b>18</b>	SP203022	Air purging valve	
<b>19</b>	SP201133	Compressor heater - L=1000mm, 30w	
<b>20</b>	SP201134	Bottom plate heater - L=900mm, 140W	
<b>21</b>	SP201137	Heater - plate heat exchanger - L=1000mm, 80w	
<b>22</b>	SP202006	Temp. sensor - PT1000; Tui/ Tuo, L=1,0m, without connector	
<b>23</b>	SP202007	Temp. sensor - NTC5K; Tup/Ts, L=1,1m, without connector	
<b>24</b>	SP202005	Temp. sensor SET with connector - Ta/Ts/Td/Tp	
<b>25</b>	SP202008	Temp. sensor - NTC5K; Tui/Tup(V5+), L=1,8m, without connector	
	SP210017	Top cover - AW9/12-R32-M	

## AW15-R32-M – 120293

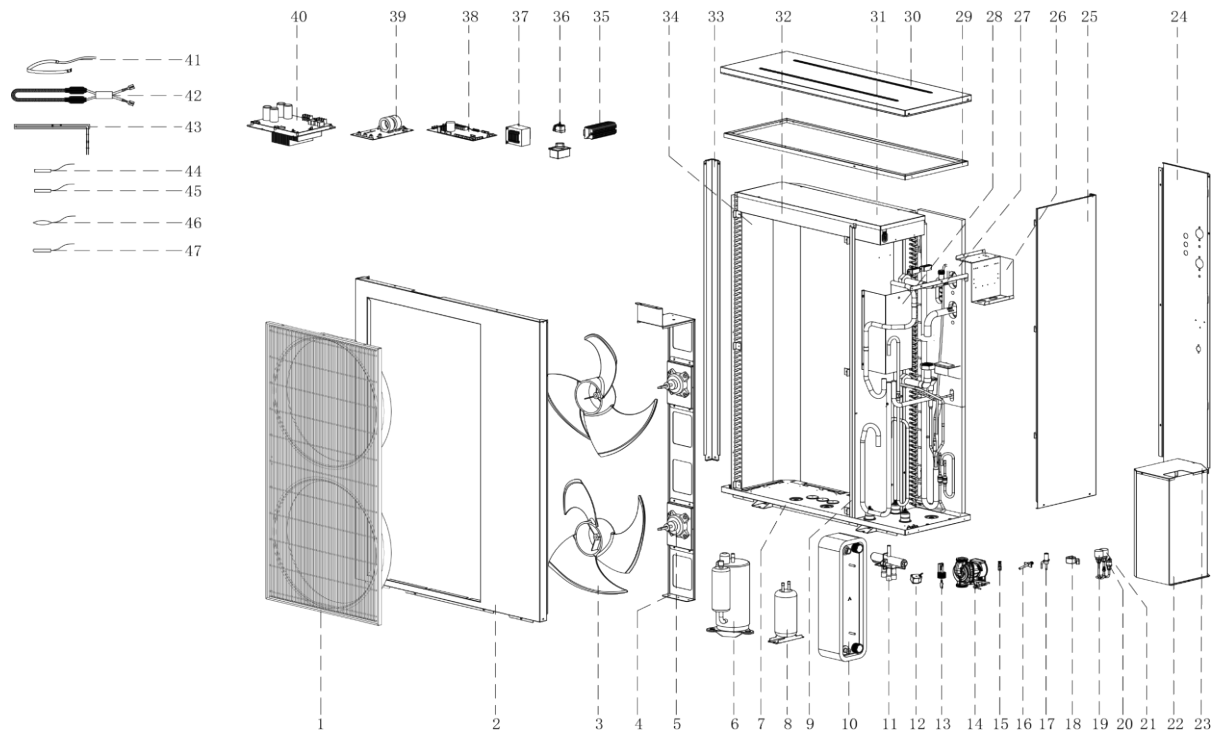


	Article number	Part name	Index number
	1	SP209944	Air guide, black
	2	SP209945	Front panel, gray
	3	SP208803	Axial fan blade - $\varnothing 550 \times 124$
	4	SP209946	Fan motor bracket, gray
	5	SP201132	Fan motor - SIC-65FV-F162-1,DC310V,8P,60W
	6	SP207706	Compressor - MVB33FBBMC
	7	SP209947	Bottom plate, gray
	8	SP204483	Liquid receiver tank - 1.5L, 2- $\varnothing 9.6$
	10	SP204487	Plate heat exchanger - SWEP,F85H $\times$ 40
	11	SP204479	Four-way valve - SHF-20D-46-02(P)
	12	SP204480	Four-way valve coil - SQ-A2522G-000190, AC220V
	13	SP209953	Flow switch - 3/4", L=1,5m, end sleeves
	14	SP203021	Water Pump - Wilo Para 25-130/9-87/IPWM1
<b>14.1 Alternative</b>	SP220016	Water Pump - SHIMGE-APM25-9-130- AW15/19-R32-M	
<b>14.2 Alternative 2</b>	SP220007	Water Pump - SHIMGE-APM25-9-130 + 50mm connector	

15	SP203028	Air purging valve	
17	SP204473	EEV - DPF(T01)1.8C-08	
18	SP204476	EEV Coil - PQ-M10012-001014	
18.1	SP220010	EEV Coil - AW15/19-R32 - MGMT	-01
19	SP204402	Low pressure sensor - 35CP02-03158020XS00F5H	
20	SP204486	High pressure switch - OFF:4.2MPa,ON:3.6MPa	
21	SP204401	High pressure sensor - 35CP02-06158050XS00F5H	
30	SP209948	Top cover - 15/19	
34	SP204468	Evaporater - 15kW -R32	
36	SP201136	Thermostat Mechanical - WY20A	
37	SP201123	PFC transducer	
37.1	SP220011	PFC transducer - AW15/19-R32 - MGMT	-01
38	SP210001	PCB - Main board - Out 15kW -R32 – V3	
38.1	SP210071	PCB - Main board - Out 15kW -R32 - MGMT	-01
39	SP201129	PCB Filter - Out 15/19 - R32	
39.1	SP220015	PCB Filter - AW15/19-R32 - MGMT	-01
40	SP201130	Compressor drive - 15kW -R32	
40.1	SP220013	Compressor drive - 15kW -R32 - MGMT	-01
41	SP201139	Compressor heater - L=390mm, 30w	
42	SP201135	Bottom plate heater - L=1800mm; 140W	
43	SP201138	Heater - plate heat exchanger - 85W	
44	SP202009	Temp. sensor - NTC50K; Td, L=0,8m, with connector	
45	SP202008	Temp. sensor - NTC5K; Tui/Tup(V5+), L=1,8m, without connector	
46	SP202010	Temp. sensor - NTC5K; Ta, L=0,8m, without connector	
47	SP202006	Temp. sensor - PT1000; Tui/ Tuo, L=1,0m, without connector	
	SP202007	Temp. sensor - NTC5K; Tup/Ts, L=1,1m, without connector	
	SP220012	PCB - FAN motor - AW15/19-R32 - MGMT	-01



## AW19-R32-M – 120294



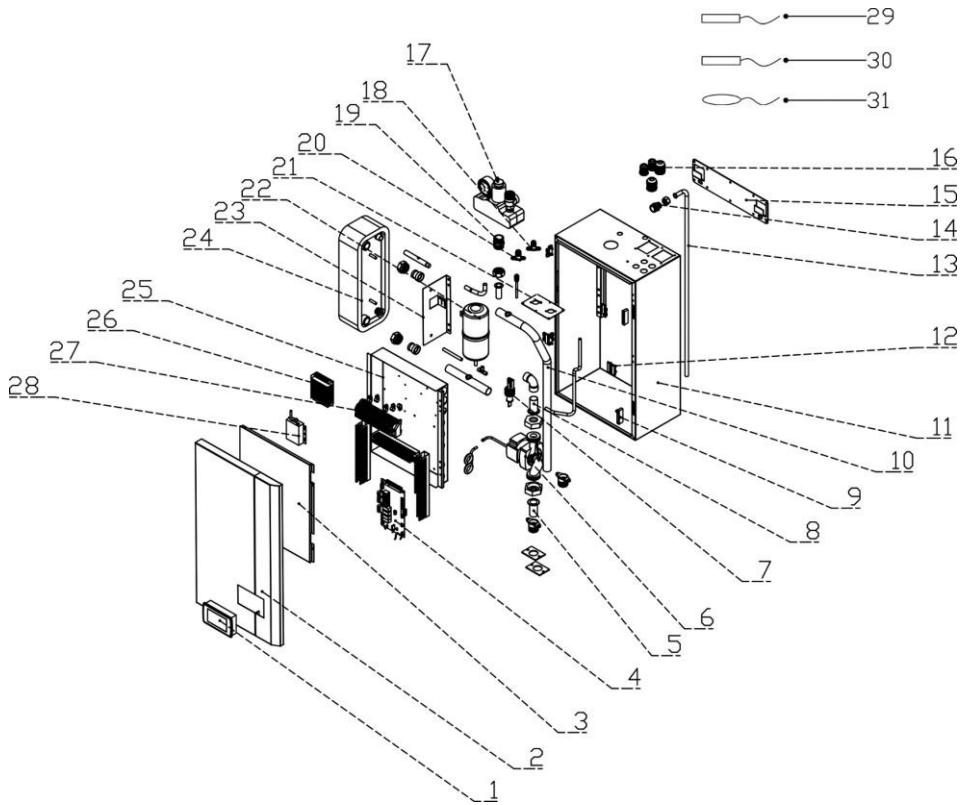
	Article number	Part name	Index number
	1	SP209944	Air guide, black
	2	SP209945	Front panel, gray
	3	SP208803	Axial fan blade - Ø550×124
	4	SP209946	Fan motor bracket, gray
	5	SP201132	Fan motor - SIC-65FV-F162-1,DC310V,8P,60W
	6	SP207707	Compressor - MVB42FCPMC-L
	7	SP209947	Bottom plate, gray
	8	SP204483	Liquid receiver tank - 1.5L, 2-Φ9.6
	10	SP204488	Plate heat exchanger - SWEP,F85H×50
	11	SP204479	Four-way valve - SHF-20D-46-02(P)
	12	SP204480	Four-way valve coil - SQ-A2522G-000190, AC220V
	13	SP209953	Flow switch - 3/4", L=1,5m, end sleeves
	14	SP203021	Water Pump - Wilo Para 25-130/9-87/IPWM1
<b>14.1 Alternative</b>	SP220016	Water Pump - SHIMGE-APM25-9-130- AW15/19-R32-M	

<b>14.2 Alternative 2</b>	<b>SP220007</b>	<b>Water Pump - SHIMGE-APM25-9-130 + 50mm connector</b>	
15	SP203028	Air purging valve	
17	SP204474	EEV - DPF(TS1)2.2C-28	
18	SP204476	EEV Coil - PQ-M10012-001014	
18.1	SP220010	EEV Coil - AW15/19-R32 - MGMT	<b>-01</b>
19	SP204402	Low pressure sensor - 35CP02-03158020XS00F5H	
20	SP204486	High pressure switch - OFF:4.2MPa,ON:3.6MPa	
21	SP204401	High pressure sensor - 35CP02-06158050XS00F5H	
30	SP209948	Top cover - 15/19	
34	SP204469	Evaporater - 19kW -R32	
36	SP201136	Thermostat Mechanical - WY20A	
37	SP201123	PFC transducer	
37.1	SP220011	PFC transducer - AW15/19-R32 - MGMT	<b>-01</b>
38	SP210002	PCB - Main board - Out 19kW -R32 – V3	
38.1	SP210072	PCB - Main board - Out 19kW -R32 - MGMT	<b>-01</b>
39	SP201129	PCB Filter - Out 15/19 - R32	
39.1	SP220015	PCB Filter - AW15/19-R32 - MGMT	<b>-01</b>
40	SP201131	Compressor drive - 19kW -R32	
40.1	SP220014	Compressor drive - 19kW -R32 - MGMT	<b>-01</b>
41	SP201139	Compressor heater - L=390mm, 30w	
42	SP201135	Bottom plate heater - L=1800mm; 140W	
43	SP201138	Heater - plate heat exchanger - 85W	
44	SP202009	Temp. sensor - NTC50K; Td, L=0,8m, with connector	
45	SP202008	Temp. sensor - NTC5K; Tui/Tup(V5+), L=1,8m, without connector	
46	SP202010	Temp. sensor - NTC5K; Ta, L=0,8m, without connector	
47	SP202006	Temp. sensor - PT1000; Tui/ Tuo, L=1,0m, without connector	
	SP202007	Temp. sensor - NTC5K; Tup/Ts, L=1,1m, without connector	
	SP220012	PCB - FAN motor - AW15/19-R32 - MGMT	<b>-01</b>

# 2 NP-V7-S

## 2.1 Indoor units

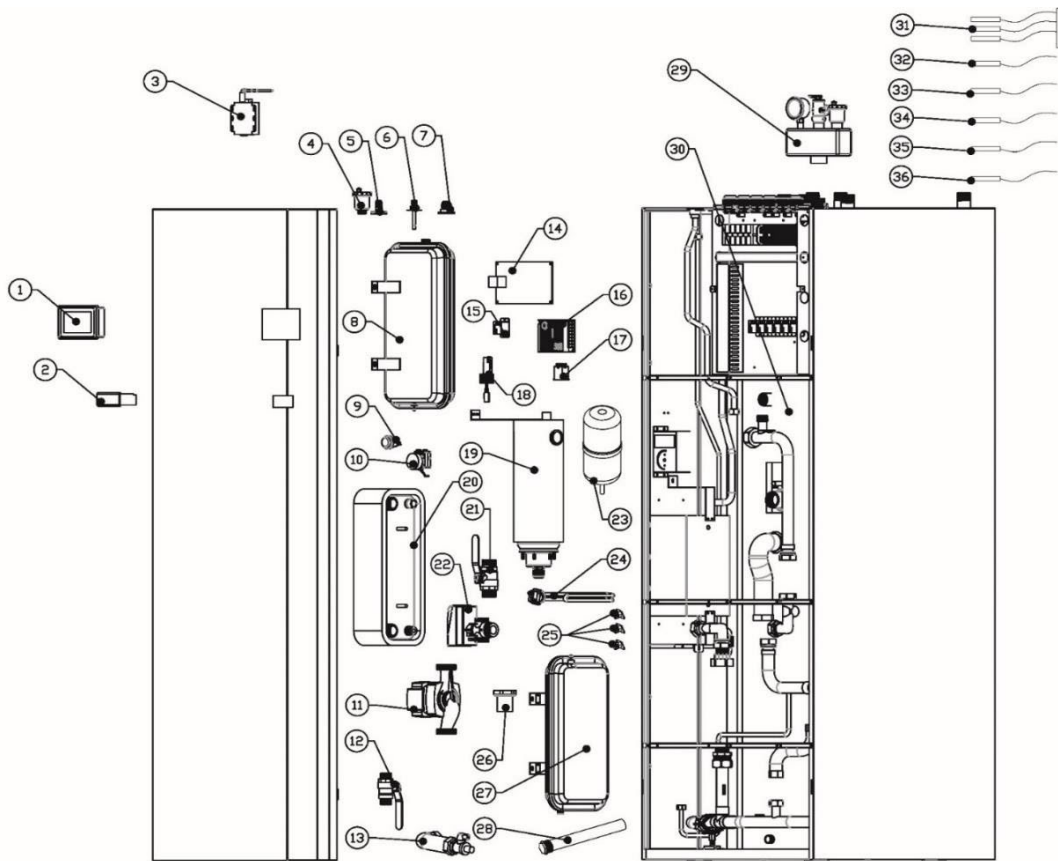
### NPH-V7-S - 120270, 120274, 120279



	Article number	Part name	Index number
	1	SP201001	Operation panel - Touch screen - V2 – V3
	1.1		
Alternative 1	SP230035	Operation panel - Touch screen - V2 – WLT-043R-NP00	
	4	SP201002	PCB Indoor
	6	SP203001	Water Pump - Grundfos UPM3K FLEX AS 25-75 180 AZA
	6.1		
Alternative	SP220006	Water Pump - SHIMGE-APM25-9-130- NP-V7-S	
	7	SP209954	Flow switch - 3/4", L=1,5m, connector
	17	SP203011	Safety valve kit - Afrisio T/P valve
		SP204006	1/4" valve - refrigeration
18 & 19	SP204007	3/8" valve - refrigeration	

	SP204008	1/2" valve - refrigeration
	SP204009	5/8" valve - refrigeration
<b>19</b>	SP203093	Connetor for safety kit G1"
	SP204001	Plate heat exchanger - SWEP,B26H×20 - 6 kW
<b>24</b>	SP204002	Plate heat exchanger - SWEP, B26H×34 - 9/11 kW
	SP204013	Plate heat exchanger - SWEP, B26H×34 - 13 kW
<b>25</b>	SP209008	Electric box NPH
<b>26</b>	SP201003	Transformer - 230VAC / 24VDC 2,2A LRS-50-24
	SP201016	Terminal block - Gray
<b>27</b>	SP201017	Terminal block - Blue
	SP201018	Terminal block - Yellow green
<b>28</b>	SP201012	Wi-Fi module with Antenna - WIFI232-602,RS232
<b>29</b>	SP202001	Temp. sensor SET - Tui/Tuo/Tup, with connector
<b>30</b>	SP202002	Temp. sensor - NTC5K, TV1/TV2, L=1,8m, Copper, with connector
<b>31</b>	SP202003	Temp. sensor - NTC5K, TR, L=1,8m, Rubber, with connector
<b>32</b>	SP210007	Temp. sensor - PT1000, TC/TW, with connector
	SP210008	Front panel for NPH-V7-S

## NPT-V7-S - 120271, 120275, 120280



Article number	Part name	Index number
1	SP201001	Operation panel - Touch screen - V2 – V3
1.1	SP230035	Operation panel - Touch screen - V2 – WLT-043R-NP00
<b>Alternative 1</b>		
2	SP201006	Thermostat Digital - WS - 600H
3	SP201012	Wi-Fi module with Antenna - WIFI232-602,RS232
4	SP203008	Air purging valve - Automatic G1/2" male,6301,10bar-110°C
5	SP204006	1/4" valve - refrigeration
	SP204007	3/8" valve - refrigeration
6	SP204012	Service valve - 5/16" male
7	SP204008	1/2" valve - refrigeration
	SP204009	5/8" valve - refrigeration
8	SP203009	Expansion vessel 6L
9	SP201007	Button - electrical switch
10	SP201005	Thermostat Mechanical - WYG P-002,16A,250V,30°C~75°C
11	SP203001	Water Pump - Grundfos UPM3K FLEX AS 25-75 180 AZA

<b>11.1</b>	SP220006	Water Pump - SHIMGE-APM25-9-130- NP-V7-S
<b>Alternative</b>		
<b>12</b>	SP203013	Ball valve - Q21F-20T,G3/4"
<b>13</b>	SP203014	Drainage piping with valve
<b>14</b>	SP201002	PCB Indoor
<b>15</b>	SP201009	Relay - JQX-105F-4/220AK-1HST(555) - NO
<b>16</b>	SP201003	Transformer - 230VAC / 24VDC 2,2A LRS-50-24
<b>17</b>	SP201013	Relay - JQX-13F/A220-2Z5
<b>18</b>	SP209954	Flow switch - 3/4", L=1,5m, connector
	SP201024	Heating element 3x1kW, DN40, 270mm
<b>19</b>	SP201025	Heating element 3x2kW, DN40, 270mm
	SP201026	Heating element 3x3kW, DN40, 270mm
	SP204014	Plate heat exchanger - SWEP,B26Hx20 - 6 kW
<b>20</b>	SP204015	Plate heat exchanger - SWEP, B26Hx34 - 9/11/13 kW
<b>21</b>	SP203006	Ball valve - Q21F-20T,206A,G1"
	066060	Valve motor LK EMV110M-3V SPST, 230V
<b>22</b>	066106	Devirting valve LK 525 MultiZone G1" 3V
	066232	Cabel LK Molex 3x0,75-2000 mm
<b>24</b>	SP201014	Electric Heater - 0,5 kW,G1", 230V
<b>25</b>	SP201004	Overheating Protector - 1NT08L-7544, 90°C cut off, 25A, manual reset
<b>26</b>	SP203005	Ball valve - VG-A12802,G1-1/2"
<b>27</b>	SP203010	Expansion vessel 5L
<b>29</b>	SP203011	Safety valve kit - Afriso T/P valve
<b>30</b>	SP203015	Tank - Stainless steel, 250 L, 2,7 m2 Coil, 600x1780x680
<b>31</b>	SP202001	Temp. sensor SET - Tui/Tuo/Tup, with connector
<b>32</b>	SP202002	Temp. sensor - NTC5K, TV1/TV2, L=1,8m, Copper, with connector
<b>33</b>	SP202003	Temp. sensor - NTC5K, TR, L=1,8m, Rubber, with connector
<b>34</b>	SP210007	Temp. sensor - PT1000, TC/TW, with connector
	181487	Hot water mixing valve - LK, 551 HydroMix 22 klk, 35-55 degrees
	SP209951	Front panel for NPT6/13-V7

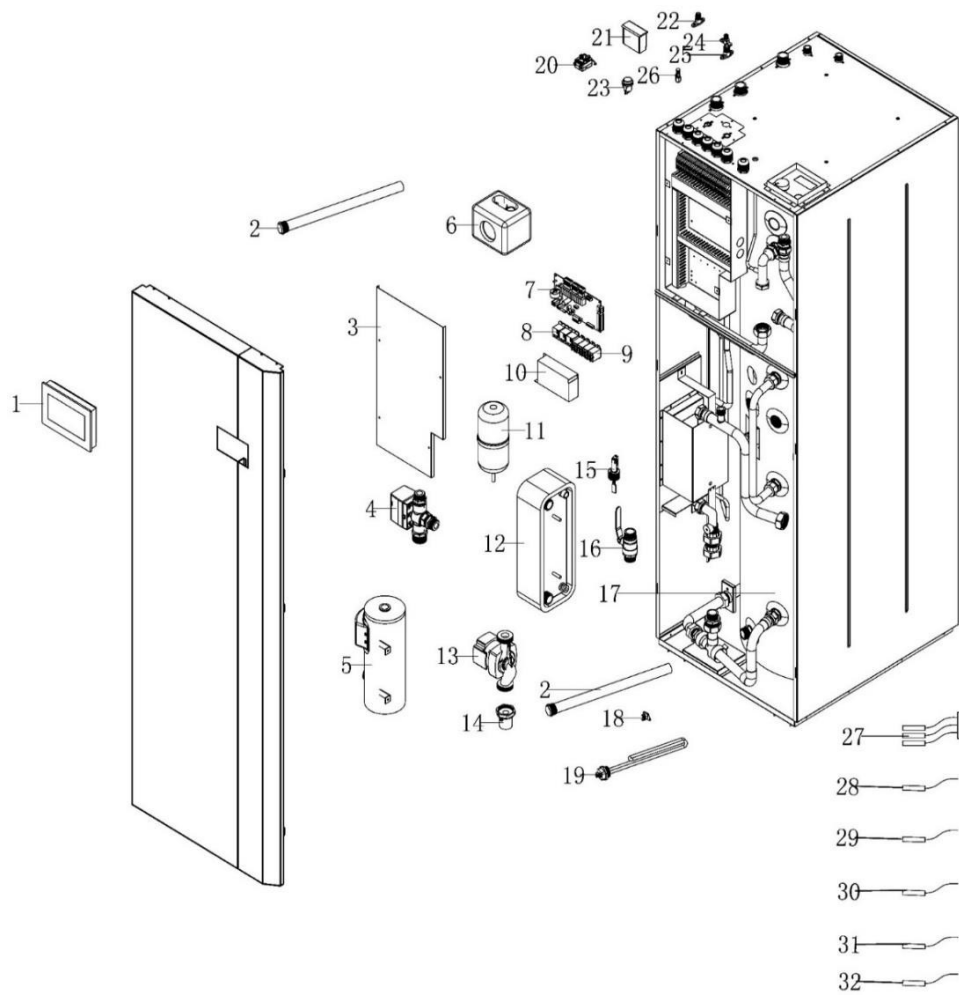
---

SP203004

Magnesium rod - L=G3/4"-300mm

---

## NPET-V7-S - 120272, 120276, 120281



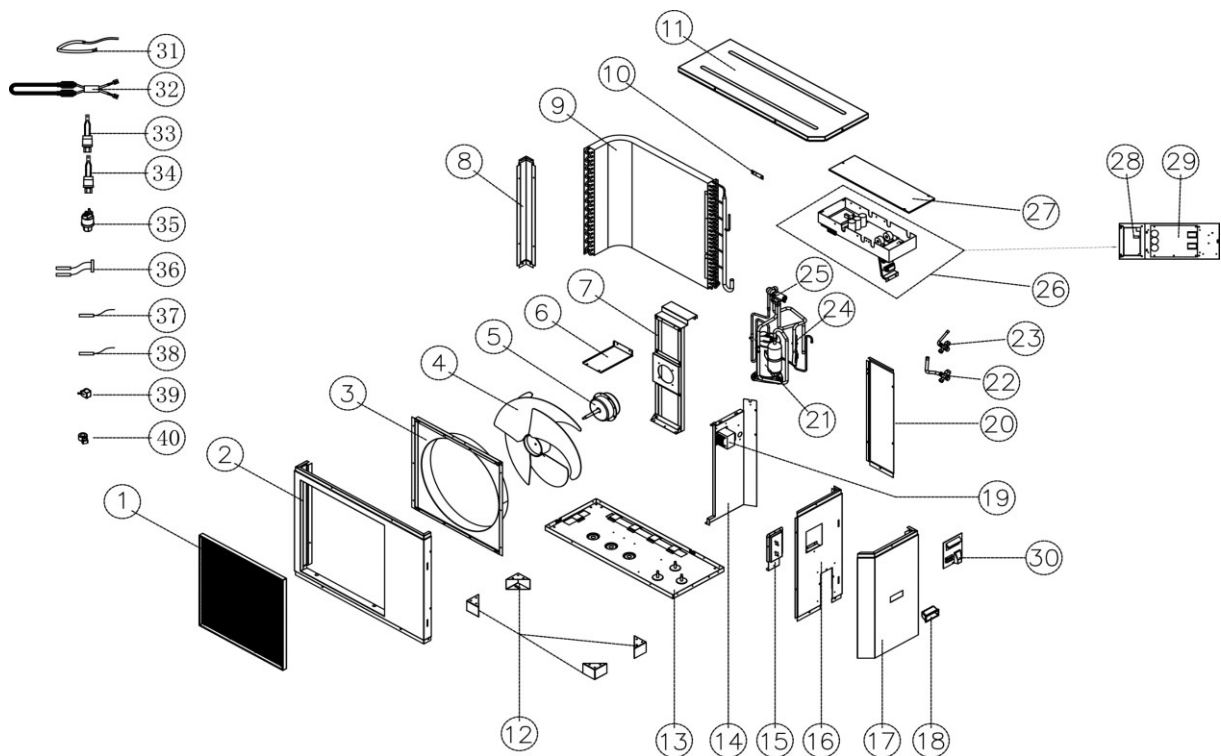
	Article number	Part name	Index number
<b>1</b>	SP201001	Operation panel - Touch screen - V2 – V3	
<b>1.1</b>			
<b>Alternative 1</b>	SP230035	Operation panel - Touch screen - V2 – WLT-043R-NP00	
<b>3</b>	SP209004	Cover - electrical box	
<b>4</b>	SP201011	Diverting valve - SRA13-230F3,3-G1" Female	
	SP201024	Heating element 3x1kW, DN40, 270mm	
<b>5</b>	SP201025	Heating element 3x2kW, DN40, 270mm	
	SP201026	Heating element 3x3kW, DN40, 270mm	
<b>6</b>	SP203007	Safety valve kit - WATTS,T/P valve	
<b>7</b>	SP201002	PCB Indoor	
<b>8</b>	SP201009	Relay - JQX-105F-4/220AK-1HST(555) - NO	
<b>9</b>	SP201010	Relay - HF13F/A240-2Z53 (NC/NO)	
<b>10</b>	SP201003	Transformer - 230VAC / 24VDC 2,2A LRS-50-24	



<b>12</b>	SP204014	Plate heat exchanger - SWEF, B26H×20 - 6 kW
	SP204016	Plate heat exchanger - GEA, GBH400H-40 (M3-NO3-E4) - 9/11 kW
	SP204015	Plate heat exchanger - SWEF, B26H×34 - 9/11/13 kW
<b>13</b>	SP203001	Water Pump - Grundfos UPM3K FLEX AS 25-75 180AZA
<b>13.1 Alternative</b>	SP220006	Water Pump - SHIMGE-APM25-9-130- NP-V7-S
<b>14</b>	SP203005	Ball valve - VG-A12802, G1-1/2"
<b>15</b>	SP209954	Flow switch - 3/4", L=1,5m, connector
<b>16</b>	SP203006	Ball valve - Q21F-20T, 206A, G1"
<b>17</b>	SP203027	Tank - Enamelled, 250 L, 2,7 m <sup>2</sup> Coil, 600x1860x730
<b>18</b>	SP201004	Overheating Protector - 1NT08L-7544, 90°C cut off, 25A, manual reset
<b>19</b>	SP201015	Electric Heater - 1,5 kW, G1", 230V
<b>20</b>	SP201005	Thermostat Mechanical - WYG P-002, 16A, 250V, 30°C~75°C
<b>21</b>	SP201006	Thermostat Digital - WS-600H
<b>22</b>	SP204006	1/4" valve - refrigeration
	SP204007	3/8" valve - refrigeration
<b>23</b>	SP201007	Button - electrical switch
<b>24</b>	SP204012	Service valve - 5/16" male
<b>25</b>	SP204008	1/2" valve - refrigeration
	SP204009	5/8" valve - refrigeration
<b>26</b>	SP203022	Air purging valve
<b>27</b>	SP202001	Temp. sensor SET - Tui/Tuo/Tup, with connector
<b>29</b>	SP202002	Temp. sensor - NTC5K, TV1/TV2, L=1,8m, Copper, with connector
<b>30</b>	SP202003	Temp. sensor - NTC5K, TR, L=1,8m, Rubber, with connector
<b>31</b>	SP210007	Temp. sensor - PT1000, TC/TW, with connector
<b>32</b>	SP201012	Wi-Fi module with Antenna - WIFI232-602, RS232
	SP203004	Magnesium rod - L=G3/4"-300mm

## 2.2 Outdoor units

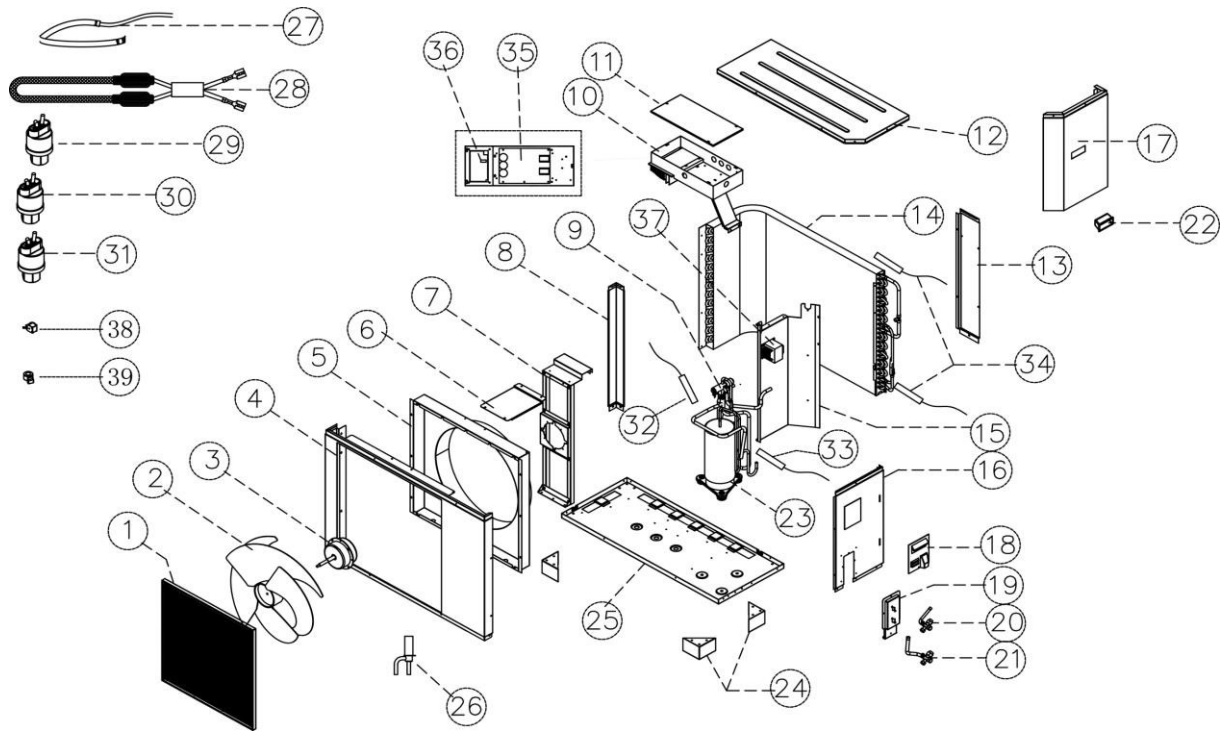
### NP6-V7-S – 120273



Index number	Article number	Part name
1	SP209903	Air Discharge Net - Black
2	SP209906	Front panel - Light gray
3	SP209910	Air guide - Black
4	SP208801	Axial fan blade, $\phi 490 \times 143.5$ , ambient temp. range $-30^{\circ}\text{C}$ - $75^{\circ}\text{C}$
5	SP201101	Fan motor, NIDEC SIC-65FV-F160-2/DC310V; 8P; Class E; 750r/m; 60 W
6	SP204447	Fixture - Fan motor bracket (6kW) - light gray
7	SP204460	Bracket - fan motor - light gray
8	SP204459	Column support - light gray
9	SP204410	Evaporator AVH-06V1DB / Fin:2,0 mm; 625mm X 213mm X 650mm
10	SP209939	Fixture for Ta temp.sensor - light gray
11	SP209913	Top panel - Light gray – NP6
12	SP209929	Feet - light gray
13	SP209925	Bottom plate - Light gray

<b>14</b>	SP209935	Bulkhead - Light gray
<b>15</b>	SP209942	Bracket - ref. Valve
<b>16</b>	SP209931	Side panel - Light gray
<b>17</b>	SP209917	Decorative panel - Light gray
<b>18</b>	SP209941	Handle - decorative side panel - standard gray
<b>19</b>	SP201102	PFC transducer
<b>20</b>	SP209921	Back panel - Light gray
<b>21</b>	SP207701	Compressor, MITSUBISHI / SNB130FGAMC;4100W;35-190V,30-390Hz,1200W,R410
<b>22</b>	SP204454	1/2" valve - Out
<b>23</b>	SP204451	1/4" valve - Out
<b>24</b>	SP204408	EEV
<b>25</b>	SP204406	Four-way valve, SHF-7H-34U-P
<b>27</b>	SP209902	Electric box top cover
<b>28</b>	SP201108	Compressor drive 2AC13I34WM1/Emerson
<b>29</b>	SP201104	PCB - Main board - Out 6kW
<b>30</b>	SP209940	Handle - side panel - standard gray
<b>31</b>	SP201110	Compressor heater L=300mm; 30W
<b>32</b>	SP201112	Bottom plate heater L=1060mm; 140W
<b>33</b>	SP204401	High pressure sensor - 35CP02-06158050XS00F5H
<b>34</b>	SP204402	Low pressure sensor - 35CP02-03158020XS00F5H
<b>35</b>	SP204403	High pressure switch - OFF:4,2MPa;ON:3,6MPa
<b>36</b>	SP202201	Temp. sensor - Ta+Tp,NTC5K, Black cable; L=1,8m
<b>37</b>	SP202202	Temp. sensor - Td,NTC50K, Black cable; L=2m
<b>38</b>	SP202203	Temp. sensor - NTC5K, Ts, Black cable; L=1,8m
<b>39</b>	SP204404	Four-way valve coil SQ-A2522G-000190
<b>40</b>	SP201120	EEV Coil
<b>40.1 Alternative</b>	SP204476	EEV Coil - PQ-M10012-001014

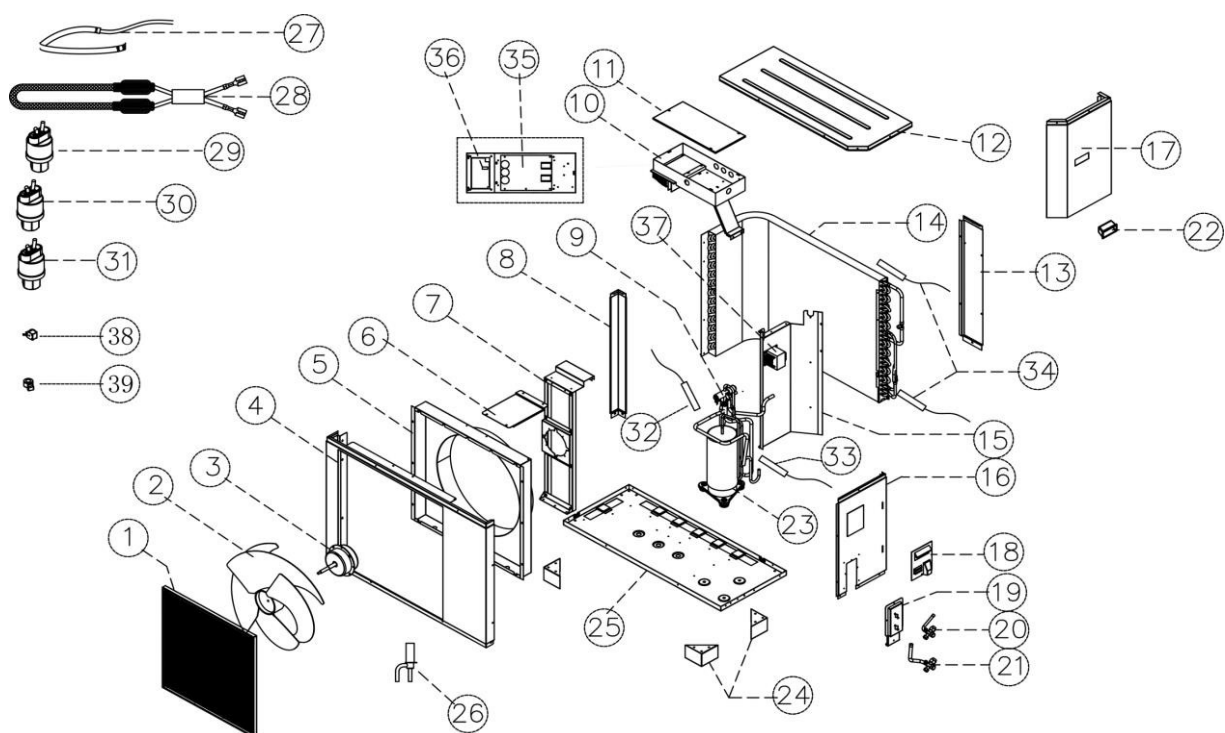
## NP9-V7-S - 120277



Article number	Part name	Index number
1	SP209903	Air Discharge Net - Black
2	SP208801	Axial fan blade, $\phi 490 \times 143.5$ , ambient temp. range $-30^{\circ}\text{C} - 75^{\circ}\text{C}$
3	SP201101	Fan motor, NIDEC SIC-65FV-F160-2/DC310V; 8P; Class E; 750r/m; 60 W
4	SP209907	Front panel - Light gray
5	SP209910	Air guide - Black
6	SP204448	Fixture - Fan motor bracket (9kW)- light gray
7	SP204461	Bracket - fan motor - light gray
8	SP204456	Column support - light gray
9	SP204406	Four-way valve, SHF-7H-34U-P
11	SP209902	Electric box top cover
12	SP209914	Top panel - Light gray – NP9
13	SP209922	Back panel - Light gray
14	SP204411	Evaporator AVH-24V1DB / Fin:1,8 mm; 608mm X 320mm X 675mm
15	SP209936	Bulkhead - Light gray
16	SP209932	Side panel - Light gray

17	SP209918	Decorative panel - Light gray
18	SP209940	Handle - side panel - standard gray
19	SP209942	Bracket - ref. Valve
20	SP204452	3/8" valve - Out
21	SP204454	1/2" valve - Out
22	SP209941	Handle - decorative side panel - standard gray
23	SP207702	Compressor, Panasonic / 5KD240XCA21;7280W;DC280V,2405W,R410
24	SP209929	Feet - light gray
25	SP209926	Bottom plate - Light gray
26	SP204409	EEV 2.2C-14, R410A, $\phi$ 2.2mm core
27	SP201111	Compressor heater L=365mm; 30W
28	SP201112	Bottom plate heater L=1060mm; 140W
29	SP204401	High pressure sensor - 35CP02-06158050XS00F5H
30	SP204402	Low pressure sensor - 35CP02-03158020XS00F5H
31	SP204403	High pressure switch - OFF:4,2MPa;ON:3,6MPa
32	SP202203	Temp. sensor - NTC5K, Ts, Black cable; L=1,8m
33	SP202202	Temp. sensor - Td,NTC50K, Black cable; L=2m
34	SP202201	Temp. sensor - Ta+Tp,NTC5K, Black cable; L=1,8m
35	SP201105	PCB - Main board - Out 9kW
36	SP201109	Compressor drive 2AC13112WM2/Emerson
37	SP201103	PFC transducer
38	SP204404	Four-way valve coil SQ-A2522G-000190
39	SP201121	EEV Coil

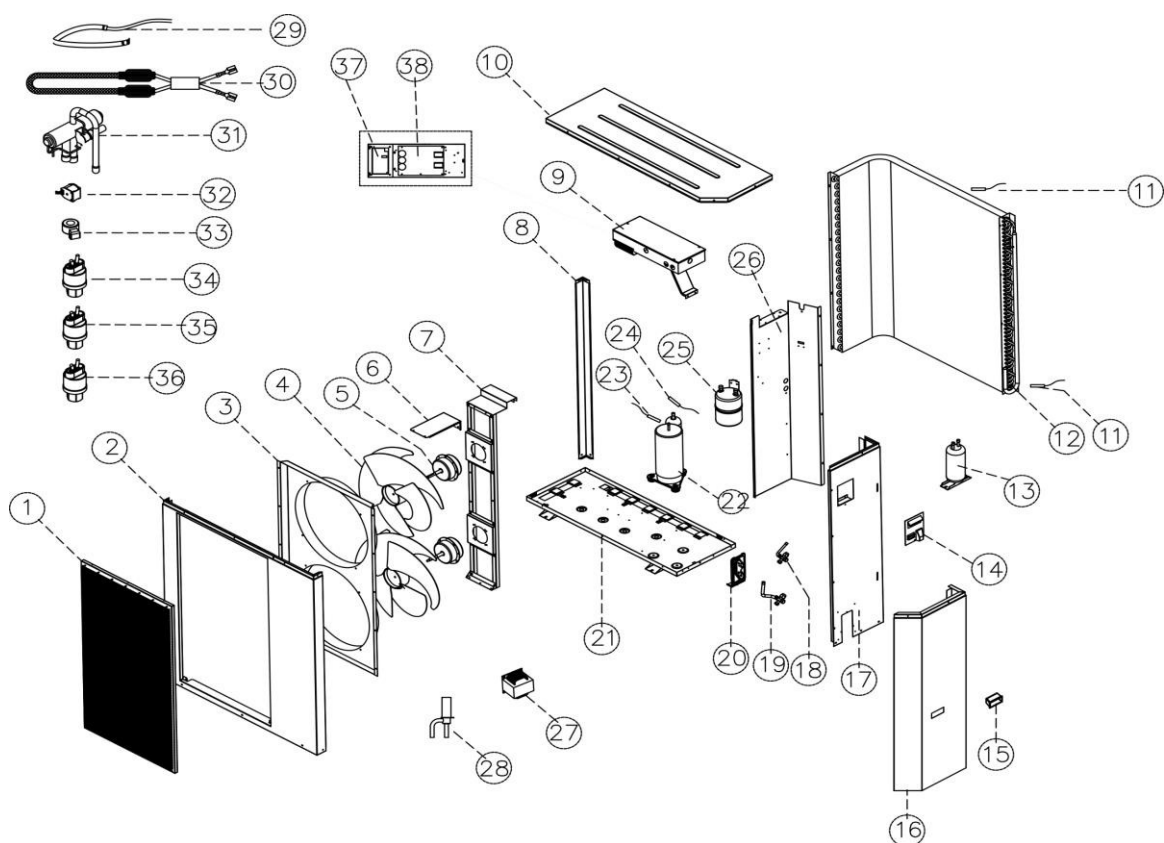
## NP11-V7-S - 120278



Article number	Part name	Index number
1	SP209904	Air Discharge Net - Black
2	SP208801	Axial fan blade, $\phi 490 \times 143.5$ , ambient temp. range $-30^{\circ}\text{C}$ - $75^{\circ}\text{C}$
3	SP201101	Fan motor, NIDEC SIC-65FV-F160-2/DC310V; 8P; Class E; 750r/m; 60 W
4	SP209908	Front panel - Light gray
5	SP209911	Air guide - Black
6	SP204449	Fixture - Fan motor bracket (11kW) - light gray
7	SP204462	Bracket - fan motor - light gray
8	SP204457	Column support - light gray
9	SP204406	Four-way valve, SHF-7H-34U-P
11	SP209902	Electric box top cover
12	SP209915	Top panel - Light gray – NP11
13	SP209923	Back panel - Light gray
14	SP204412	Evaporator AVH-30V1DB / Fin: 1,8; 800mm X 285mm X 675mm
15	SP209937	Bulkhead - Light gray
16	SP209933	Side panel - Light gray

17	SP209919	Decorative panel - Light gray
18	SP209940	Handle - side panel - standard gray
19	SP209942	Bracket - ref. Valve
20	SP204452	3/8" valve - Out
21	SP204454	1/2" valve - Out
22	SP209941	Handle - decorative side panel - standard gray
23	SP207702	Compressor, Panasonic / 5KD240XCA21;7280W;DC280V,2405W,R410
24	SP209930	Feet - light gray
25	SP209927	Bottom plate - Light gray
26	SP204409	EEV 2.2C-14, R410A,φ2.2mm core
27	SP201111	Compressor heater L=365mm; 30W
28	SP201113	Bottom plate heater L=1800mm; 140W
29	SP204401	High pressure sensor - 35CP02-06158050XS00F5H
30	SP204402	Low pressure sensor - 35CP02-03158020XS00F5H
31	SP204403	High pressure switch - OFF:4,2MPa;ON:3,6MPa
32	SP202203	Temp. sensor - NTC5K, Ts, Black cable; L=1,8m
33	SP202202	Temp. sensor - Td,NTC50K, Black cable; L=2m
34	SP202201	Temp. sensor - Ta+Tp,NTC5K, Black cable; L=1,8m
35	SP201106	PCB - Main board - Out 11kW
36	SP201109	Compressor drive 2AC13I12WM2/Emerson
37	SP201103	PFC transducer
38	SP204404	Four-way valve coil SQ-A2522G-000190
39	SP201121	EEV Coil

## NP13-V7-S - 120282



Index number	Article number	Part name
1	SP209905	Air Discharge Net - Black
2	SP209909	Front panel - Light gray
3	SP209912	Air guide - Black
4	SP208801	Axial fan blade, $\phi 490 \times 143.5$ , ambient temp. range $-30^{\circ}\text{C}$ - $75^{\circ}\text{C}$
5	SP201101	Fan motor, NIDEC SIC-65FV-F160-2/DC310V; 8P; Class E; 750r/m; 60 W
6	SP204450	Fixture - Fan motor bracket (13kW) - light gray
7	SP204463	Bracket - fan motor - light gray
8	SP204458	Column support - light gray
9.2	SP209902	Electric box top cover
10	SP209916	Top panel - Light gray – NP13
11	SP202201	Temp. sensor - $T_a+T_p$ , NTC5K, Black cable; L=1,8m
12	SP204413	Evaporator PAVH-36V1DB / Fin: 2,0; 890mm X 320mm X 1150mm
13	SP204414	Liquid receiver tank 1,5L



14	SP209940	Handle - side panel - standard gray
15	SP209941	Handle - decorative side panel - standard gray
16	SP209920	Decorative panel - Light gray
17	SP209934	Side panel - Light gray
18	SP204453	3/8" valve - Out
19	SP204455	5/8" valve - Out
20	SP209943	Bracket - ref. Valve
21	SP209928	Bottom plate - Light gray
22	SP207702	Compressor, Panasonic / 5KD240XCA21;7280W;DC280V,2405W,R410
23	SP202202	Temp. sensor - Td,NTC50K, Black cable; L=2m
24	SP202203	Temp. sensor - NTC5K, Ts, Black cable; L=1,8m
25	SP204415	Accumulator tank 1,8L
26	SP209938	Bulkhead - Light gray
27	SP201103	PFC transducer
28	SP204409	EEV 2.2C-14, R410A,φ2.2mm core
29	SP201111	Compressor heater L=365mm; 30W
30	SP201113	Bottom plate heater L=1800mm; 140W
31	SP204407	Four-way valve, SHF-11H-45D1 - 13kW
32	SP204404	Four-way valve coil SQ-A2522G-000190
33	SP201121	EEV Coil
34	SP204401	High pressure sensor - 35CP02-06158050XS00F5H
35	SP204402	Low pressure sensor - 35CP02-03158020XS00F5H
36	SP204403	High pressure switch - OFF:4,2MPa;ON:3,6MPa
37	SP201109	Compressor drive 2AC13112WM2/Emerson
38	SP201107	PCB - Main board - Out 13kW

# Dear Customer!

We would like to thank you for reading this manual.

For more information, feel free to contact us.

Your ES team.

[www.energysave.se](http://www.energysave.se)