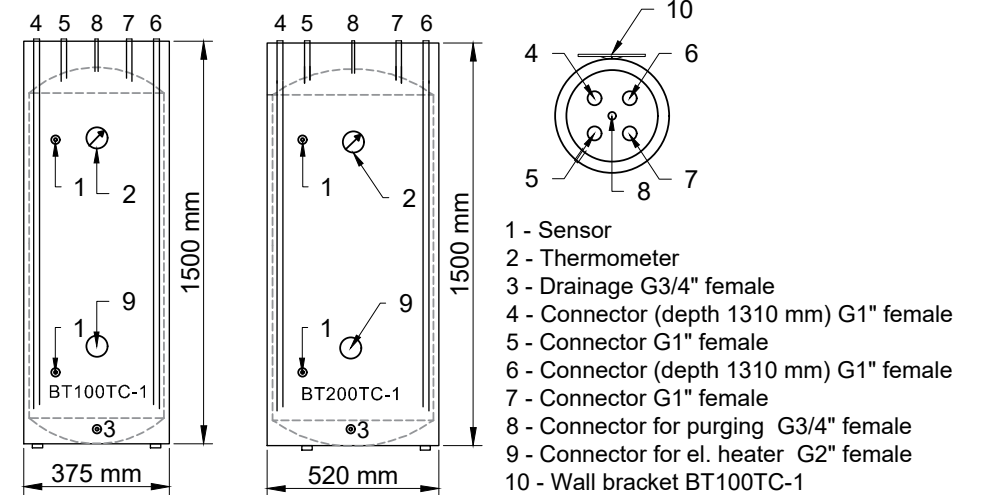
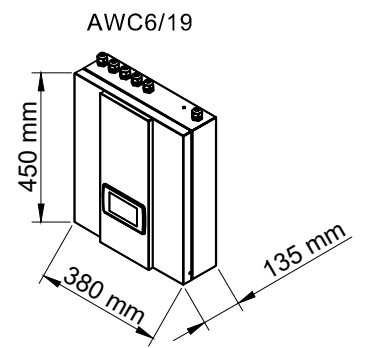
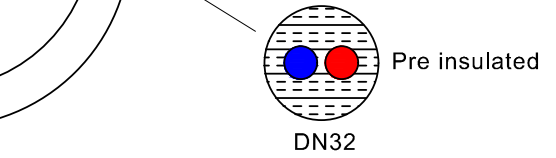
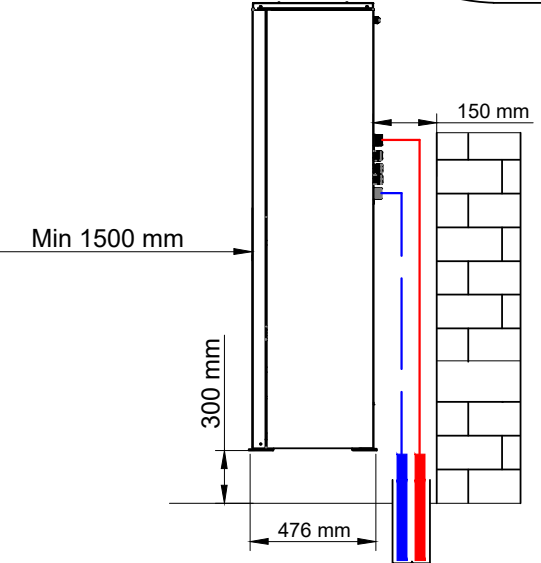


Front view AW15/19-R32-M

Side view AW15/19-R32-M



Classification of the Drawing/Klassifizierung/Klasifikacija risbe:	Date, Datum : 21.2.2020
<b>EIS</b> Title/Title: AWC15/19-R32-M, AHS heating+sanitary, DHW tank, buffer BT100TC-1/200TC-1, 2 x mixing heating / cooling circuit	Drawing ID/Zeichnungs ID/ Oznaka risbe: <b>Ver1</b>
Naziv:	Revision/Prüfung/Revizija: MK