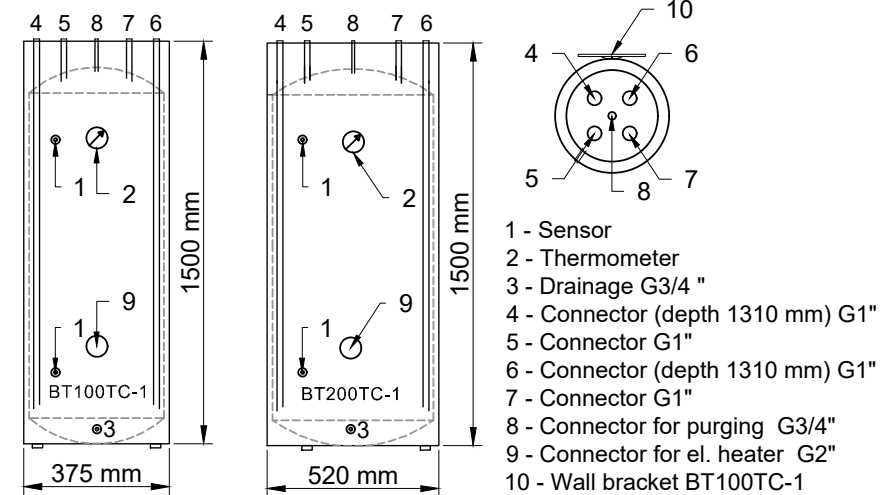
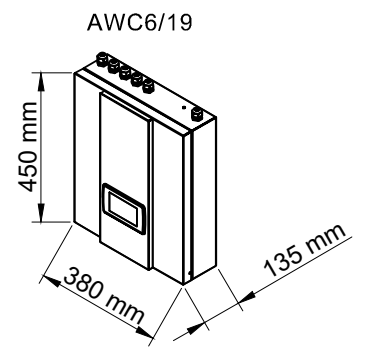
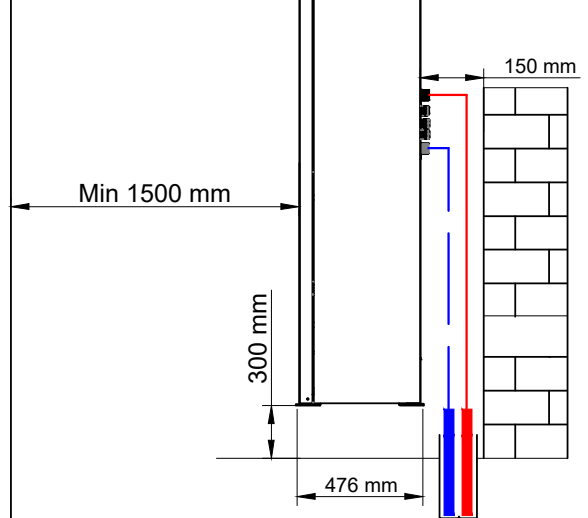
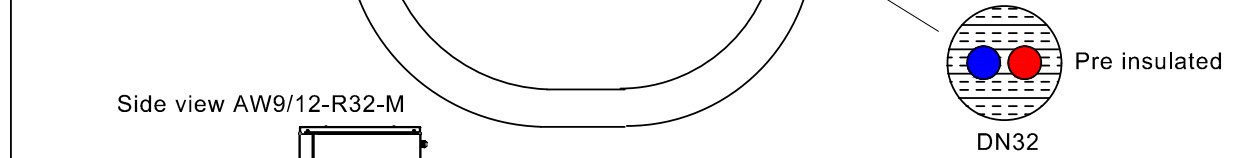
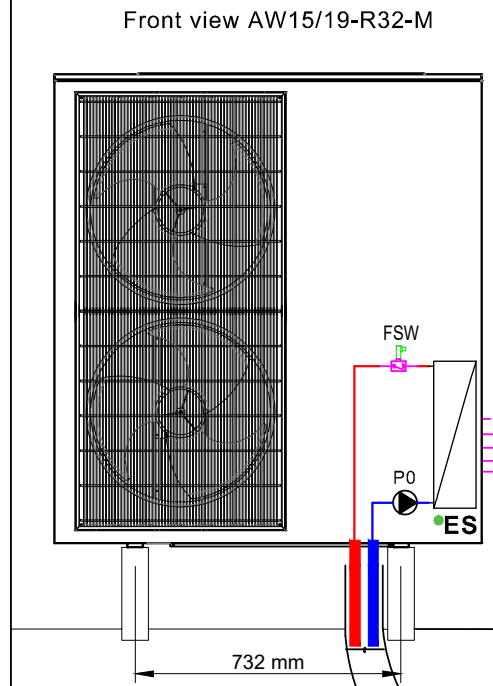
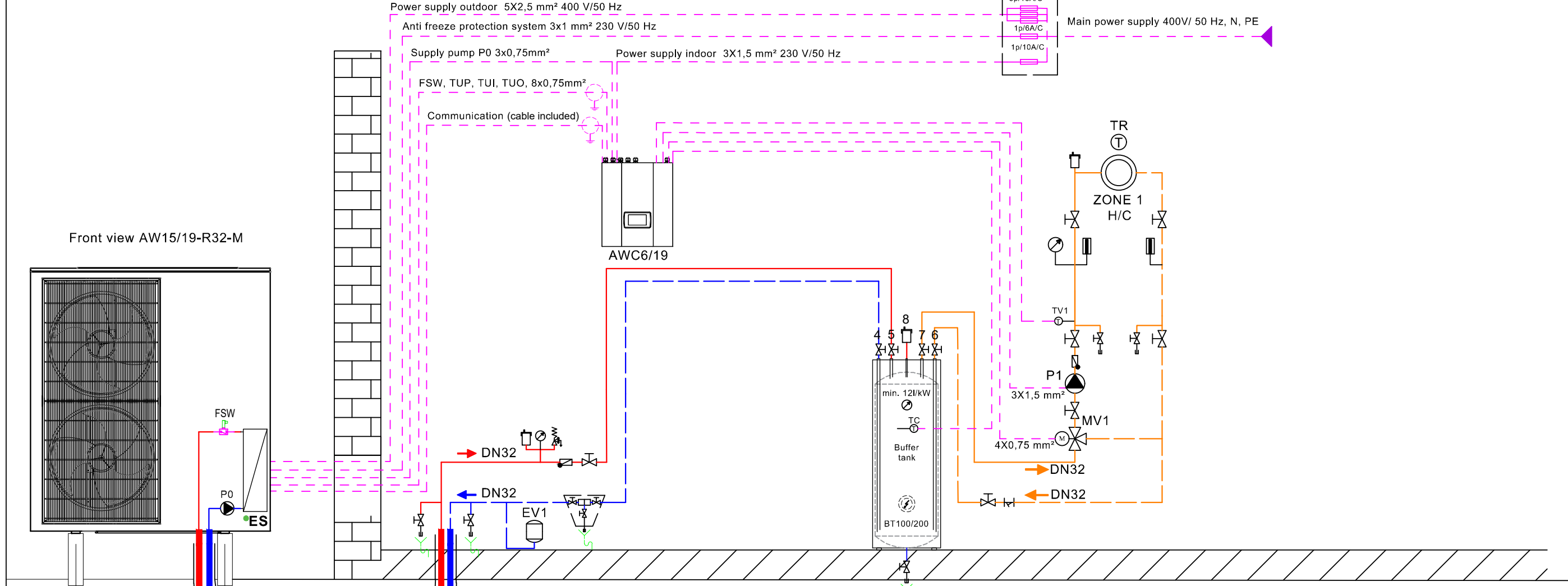


- EV1/2 Expansion vessel heating system
- EV3 Expansion vessel DHW system
- MV1/2 Proportional mixing actuator
- 24VDC / 0-10V
- SELTRON PROMIX AVC10Y
- ESBE ARA 639



Classification of the Drawing/Klassifizierung/Klasifikacija risbe:	Date, Datum : 21.2.2020
EIS	Drawing ID/Zeichnungs ID/ Oznaka risbe: Ver1
Title/Title: AWC15/19-R32-M, buffer BT100TC-1/200TC-1, 1 x mixing heating / cooling circuit	Revision/Prüfung/Revizija: MK
Naziv:	