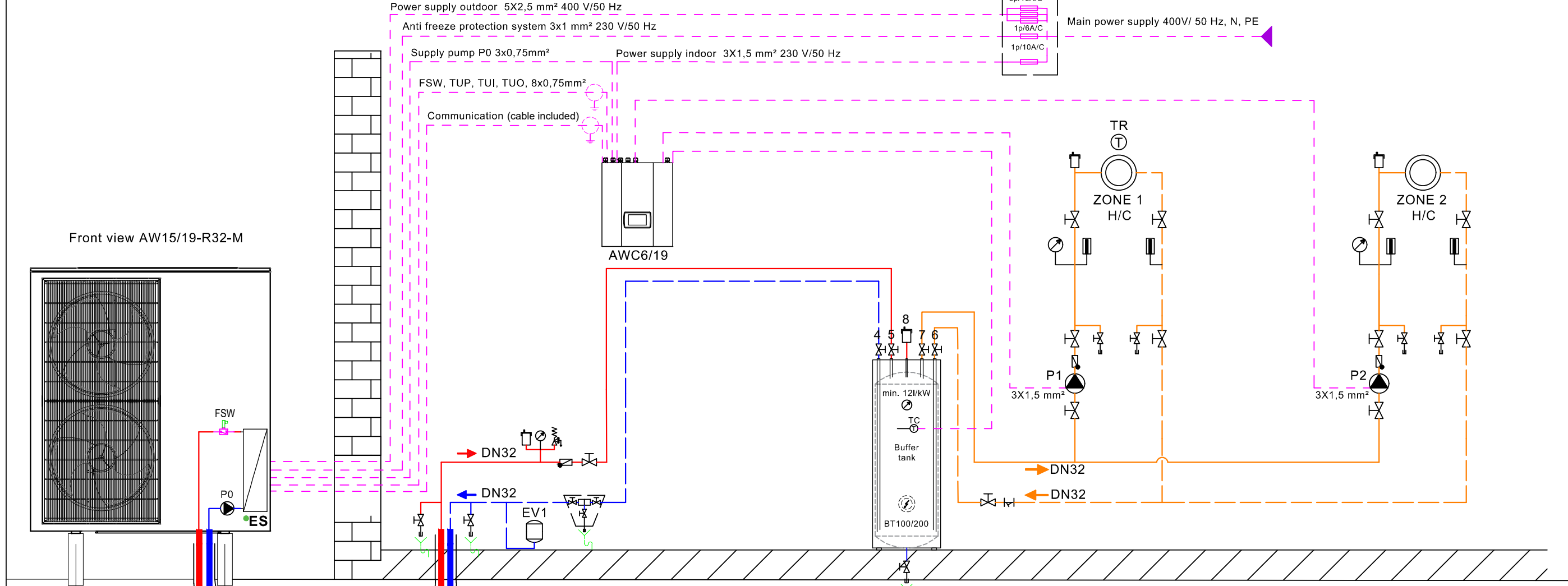
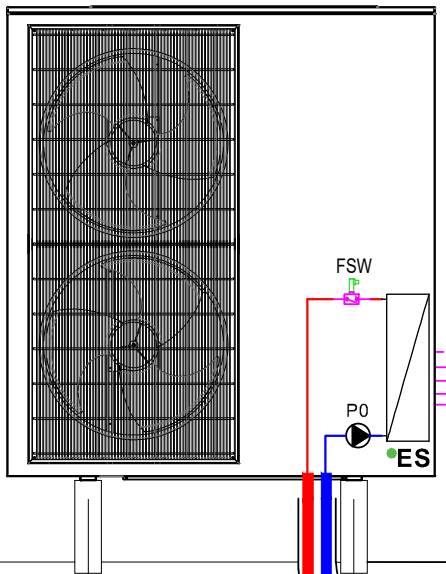


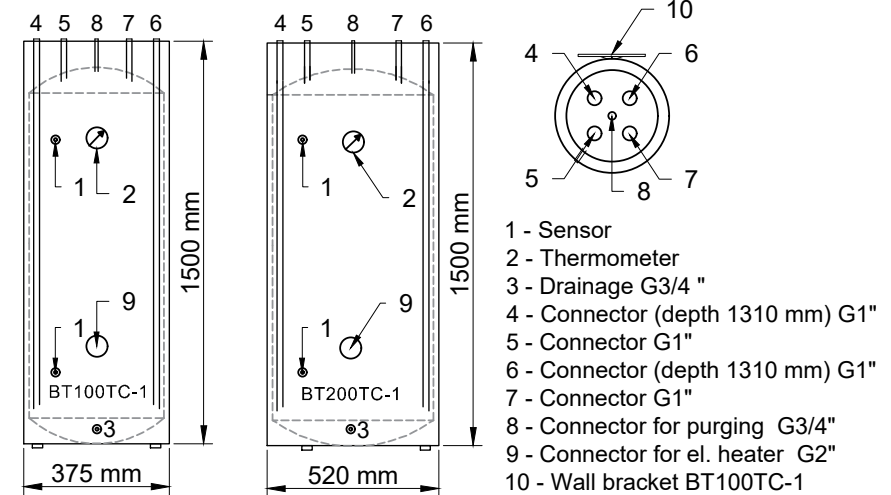
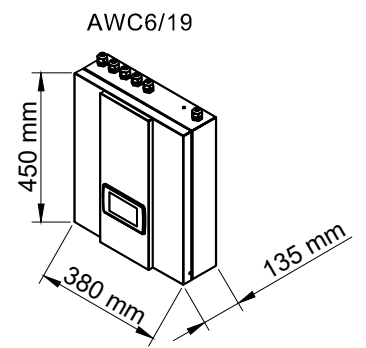
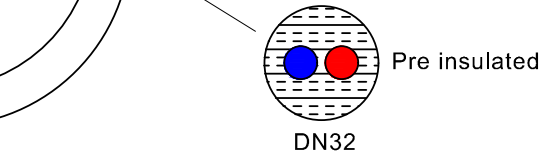
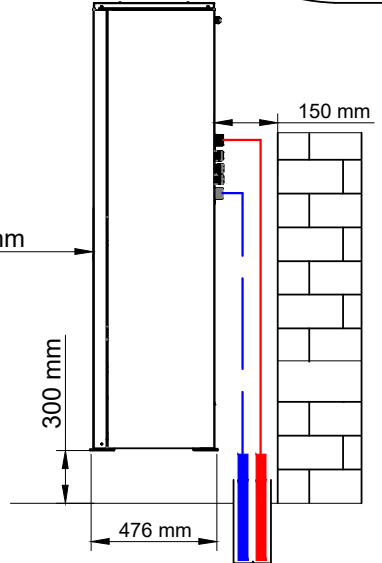
EV1/2 Expansion vessel heating system
 EV3 Expansion vessel DHW system
 MV1/2 Proportional mixing actuator
 24VDC / 0-10V
 SELTRON PROMIX AVC10Y
 ESBE ARA 639



Front view AW15/19-R32-M



Side view AW9/12-R32-M



Classification of the Drawing/Klassifizierung/Klasifikacija risbe:		Date, Datum : 21.2.2020
	Title/Title: AWC15/19-R32-M, buffer BT100TC-1/200TC-1, 2 direct heating/cooling circuit	Drawing ID/Zeichnungs ID/ Oznaka risbe: Ver1
	Naziv:	Revision/Prüfung/Revizija: MK