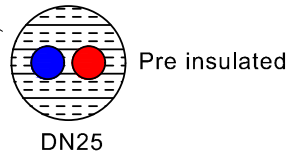
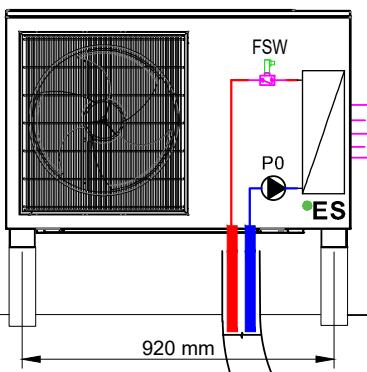
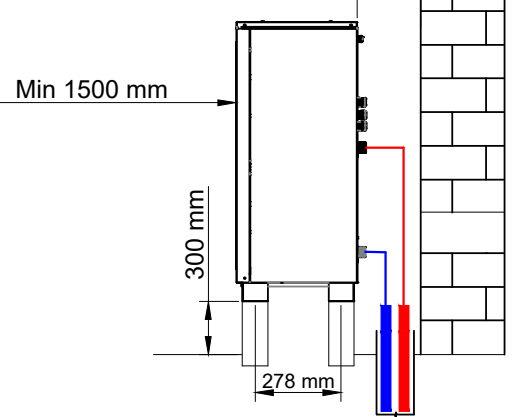


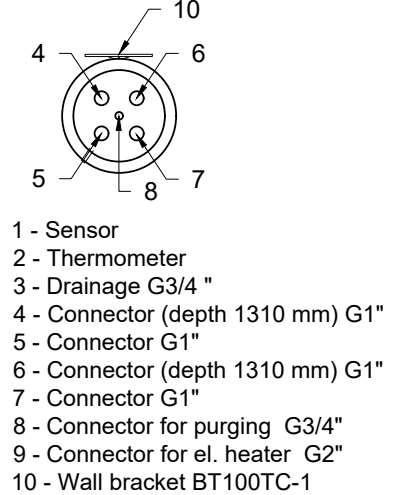
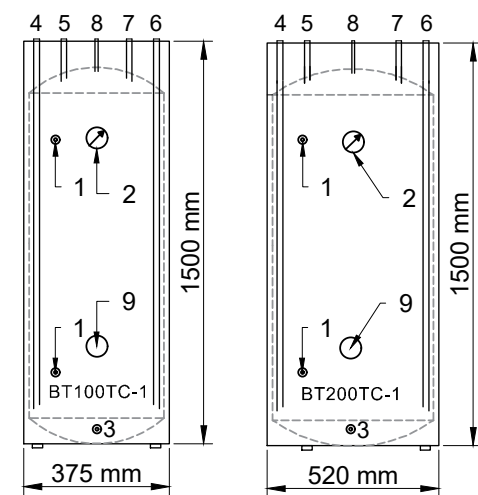
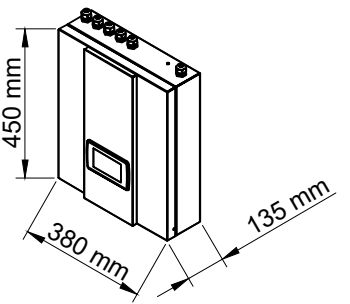
Front view AW6-R32-M



Side view AW6-R32-M



AWC6/19



| | |
|------------------------------------------------------------------------------------------------------------------------------|--------------------------------------------------------|
| Classification of the Drawing/Klassifizierung/Klasifikacija risbe: | Date, Datum : 21.2.2020 |
| EIS Title/Title: AWC6-R32-M, AHS-heating, DHW tank, buffer BT100TC-1/200TC-1, 2 x mixing heating / cooling circuit | Drawing ID/Zeichnungs ID/ Oznaka risbe: Ver1 |
| Naziv: | Revision/Prüfung/Revizija: MK |