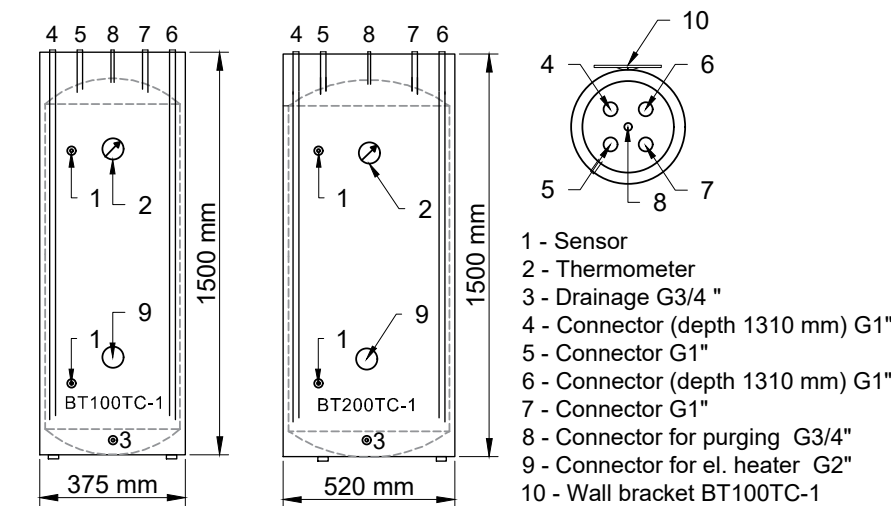
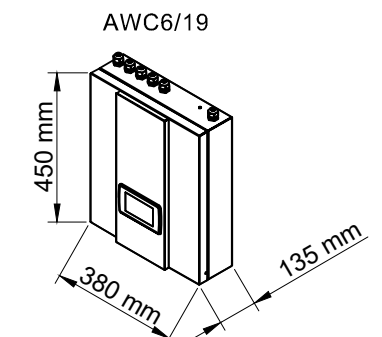
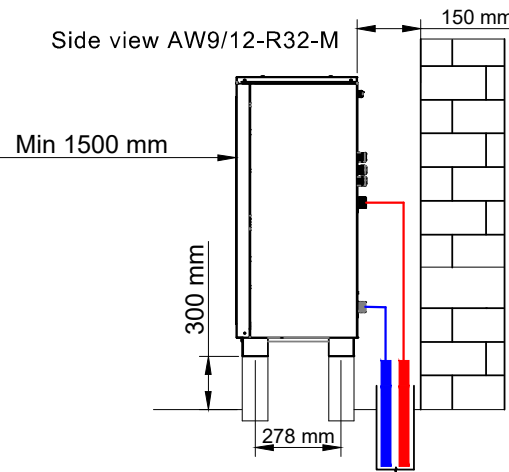
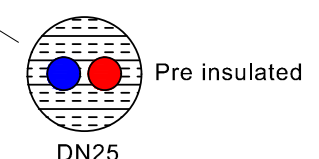
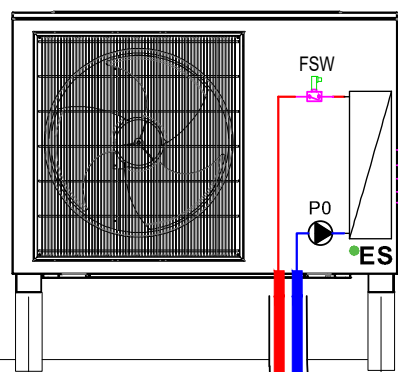


Front view AW9/12-R32-M



Classification of the Drawing/Klassifizierung/Klasifikacija risbe:		Date, Datum : 21.2.2020
EIS	Title/Title: AWC9/12-R32-M, additional heating source, buffer BT100TC-1/200TC-1, 1 x direct heating / cooling circuit	Drawing ID/Zeichnungs ID/ Oznaka risbe: Ver1
	Naziv:	Revision/Prüfung/Revizija: MK