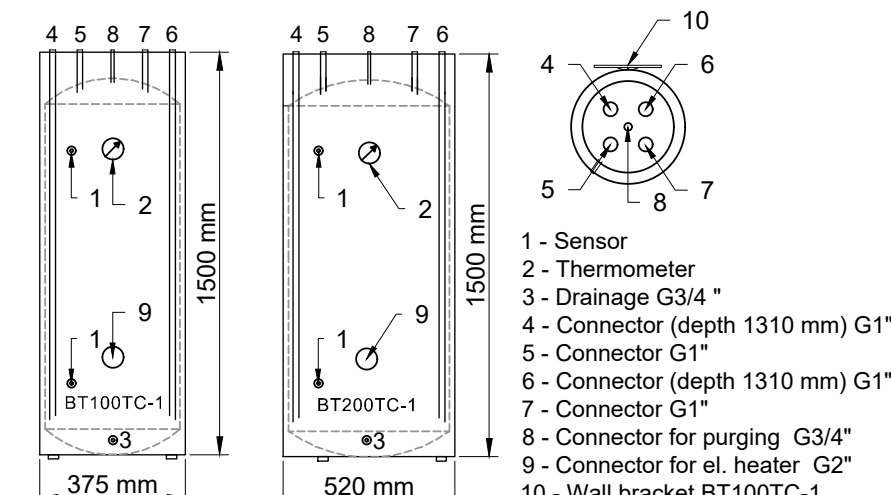
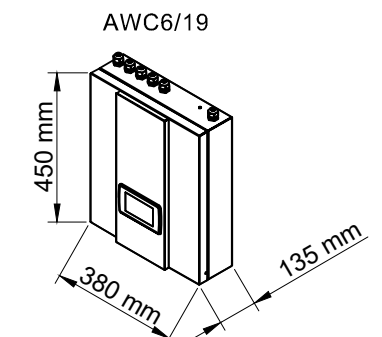
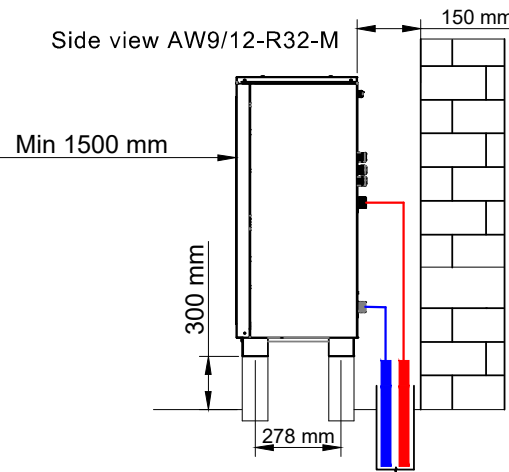
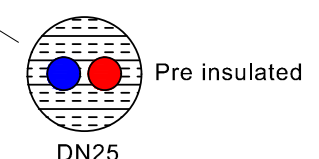
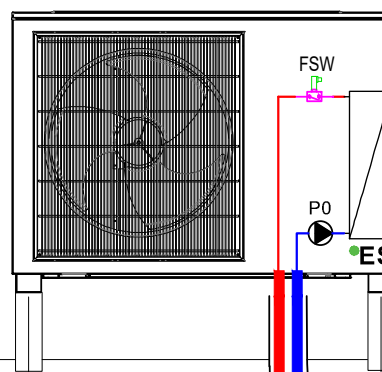


Front view AW9/12-R32-M



Classification of the Drawing/Klassifizierung/Klasifikacija risbe:	Date, Datum : 21.2.2020
<b>EIS</b>	Drawing ID/Zeichnungs ID/ Oznaka risbe: <b>Ver1</b>
Title/Title: AWC9/12-R32-M, buffer BT100TC-1/200TC-1, 1 x mixing heating / cooling circuit	Revision/Prüfung/Revizija: MK
Naziv:	