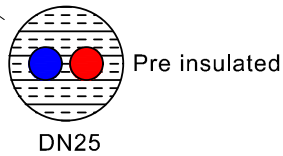
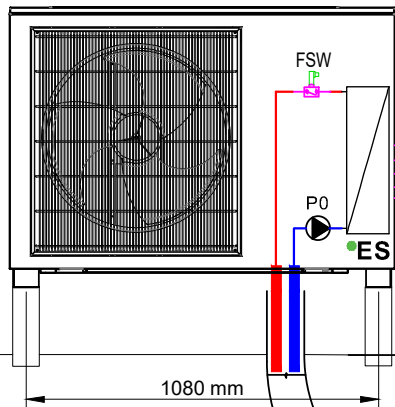
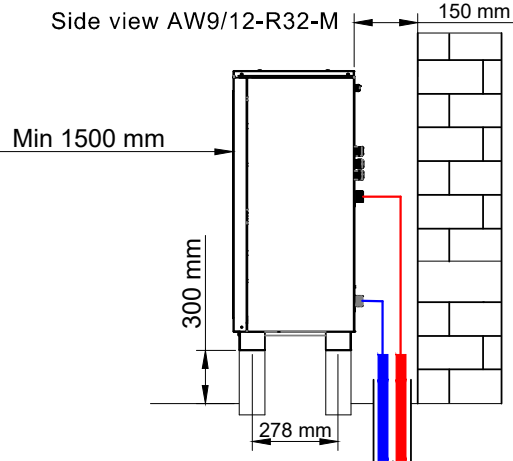


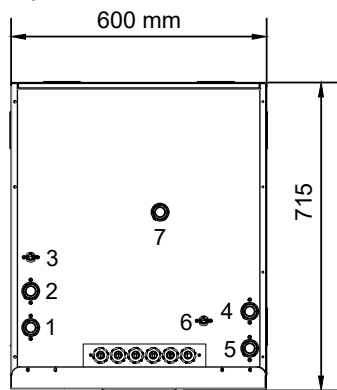
Front view AW9/12-R32-M



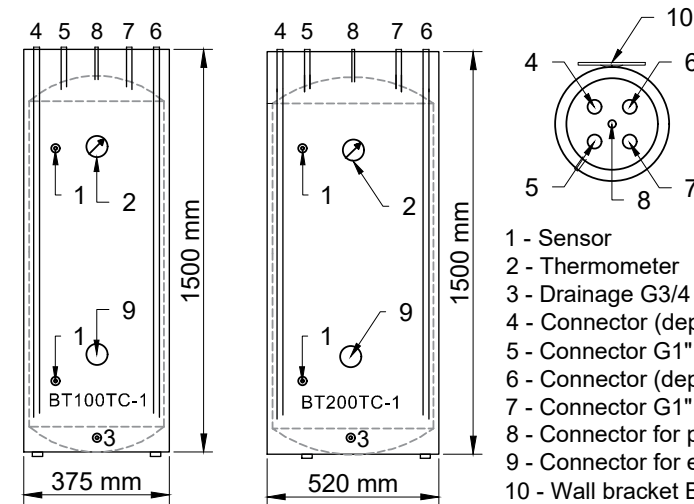
Side view AW9/12-R32-M



Top view indoor AWST6/15-R32-M



- 1 - Water outlet - to outdoor unit G1"
- 2 - Water inlet - from outdoor unit G1"
- 3 - Fresh cold - water inlet G3/4"
- 4 - Return line - heating system G1"
- 5 - Flow line - heating system G1"
- 6 - Automatic Air purging valve G1"
- 7 - Sanitary hot water outlet G1"



- 1 - Sensor
- 2 - Thermometer
- 3 - Drainage G3/4 "
- 4 - Connector (depth 1310 mm) G1"
- 5 - Connector G1"
- 6 - Connector (depth 1310 mm) G1"
- 7 - Connector G1"
- 8 - Connector for purging G3/4"
- 9 - Connector for el. heater G2"
- 10 - Wall bracket BT100TC-1

Classification of the Drawing/Klassifizierung/Klasifikacija risbe:	Date, Datum : 13.4.2022
<b>EIS</b>	Drawing ID/Zeichnungs ID/ Oznaka risbe: <b>Ver1</b>
Title/Title: AWST9/12-R32-M, BT100TC-1/BT200TC-1, 1 x direct heating/cooling circuit	Revision/Prüfung/Revizija: MK
Naziv:	