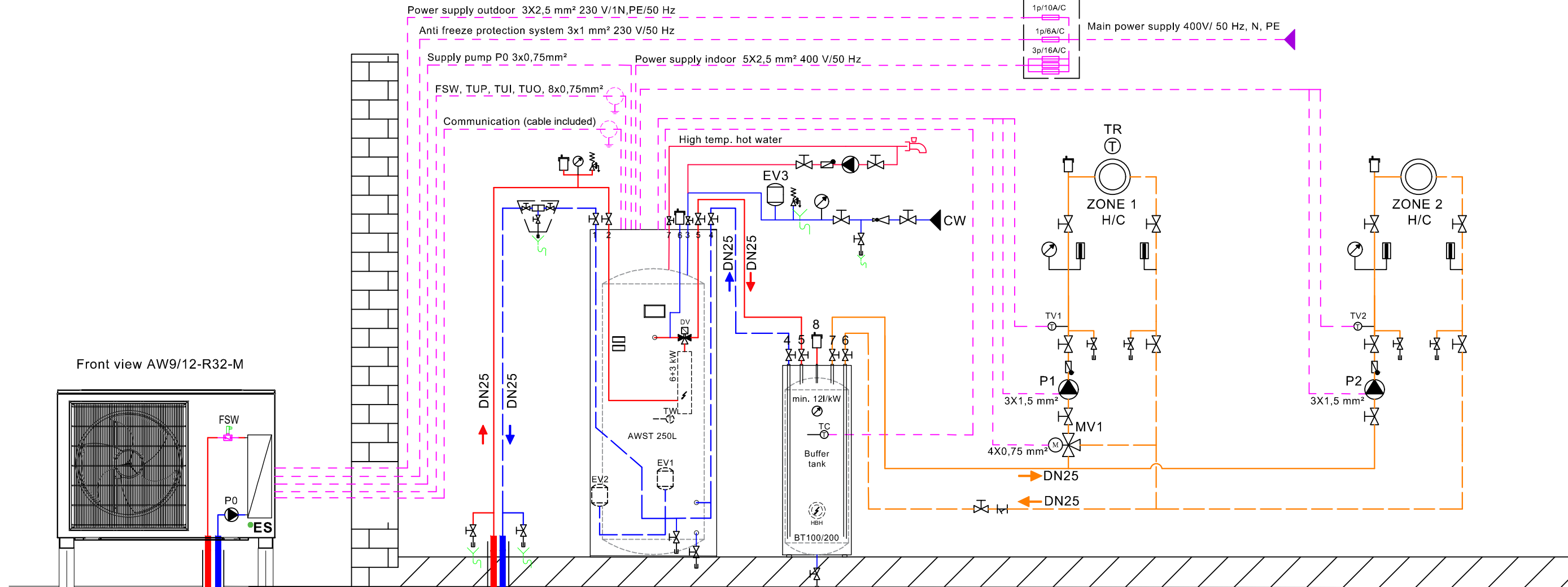
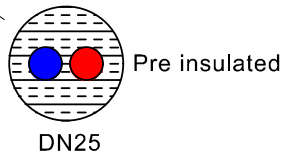
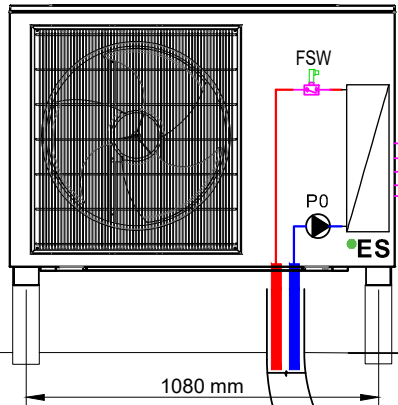


Legend:		Graphic symbol	
	HP Flow		Shut-off valve
	HP Return		Shut-off valve with check valve
	HC Flow		Shut-off valve with drainage
	Domestic hot water		Three-way diverting valve
	Domestic water		Three-way mixing valve
	Refrigerant tube		Safety valve combination
	El. cable		Heat consumer
			Circulating pump
			Flexible pipe
			Thermometer
			Pressure regulator
			Flow switch
			Air vent
			Manometer
			Filter
			Overflow valve
			Runoff to the sewer system
			Temperature sensor
			Two-way valve
			4 way diverting valve
			Magnetic filter

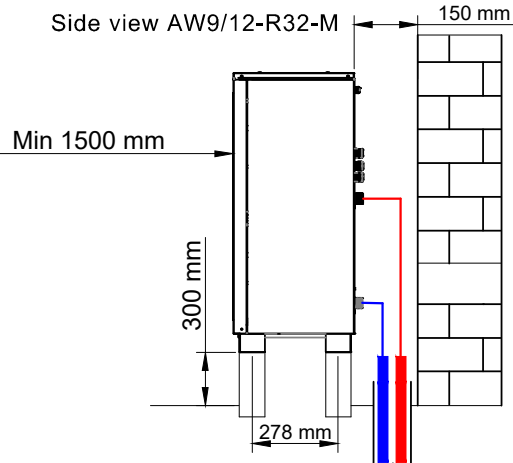
EV1/2	Expansion vessel heating system
EV3	Expansion vessel DHW system
MV1/2	Proportional mixing actuator
	24VDC / 0-10V
	SELTRON PROMIX AVC10Y
	ESBE ARA 639



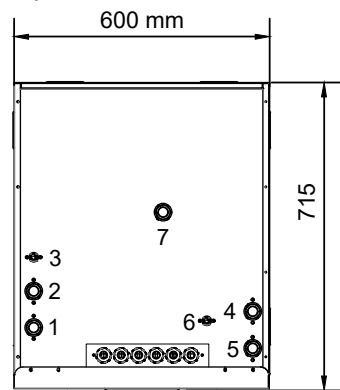
Front view AW9/12-R32-M



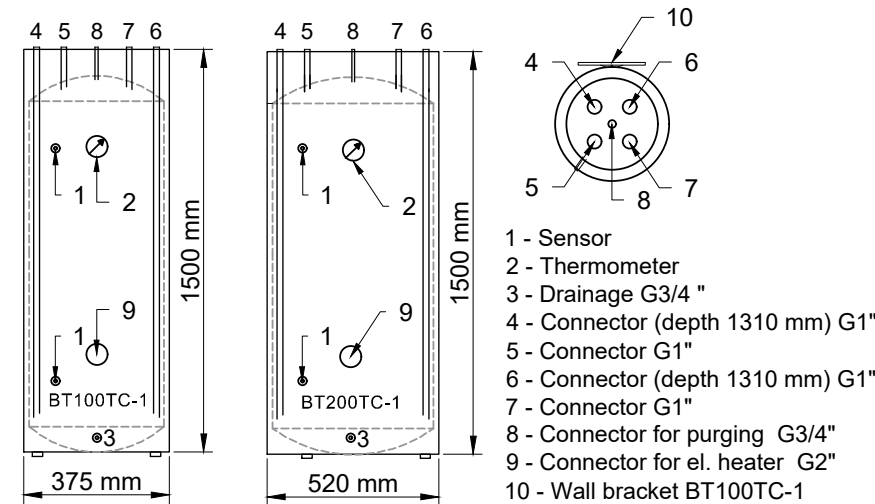
Side view AW9/12-R32-M



Top view indoor AWST6/15-R32-M



- 1 - Water outlet - to outdoor unit G1"
- 2 - Water inlet - from outdoor unit G1"
- 3 - Fresh cold - water inlet G3/4"
- 4 - Return line - heating system G1"
- 5 - Flow line - heating system G1"
- 6 - Automatic Air purging valve G1"
- 7 - Sanitary hot water outlet G1"



Classification of the Drawing/Klassifizierung/Klasifikacija risbe:	Date, Datum : 13.4.2022
	Drawing ID/Zeichnungs ID/ Oznaka risbe: Ver1
Naziv:	Revision/Prüfung/Revizija: MK