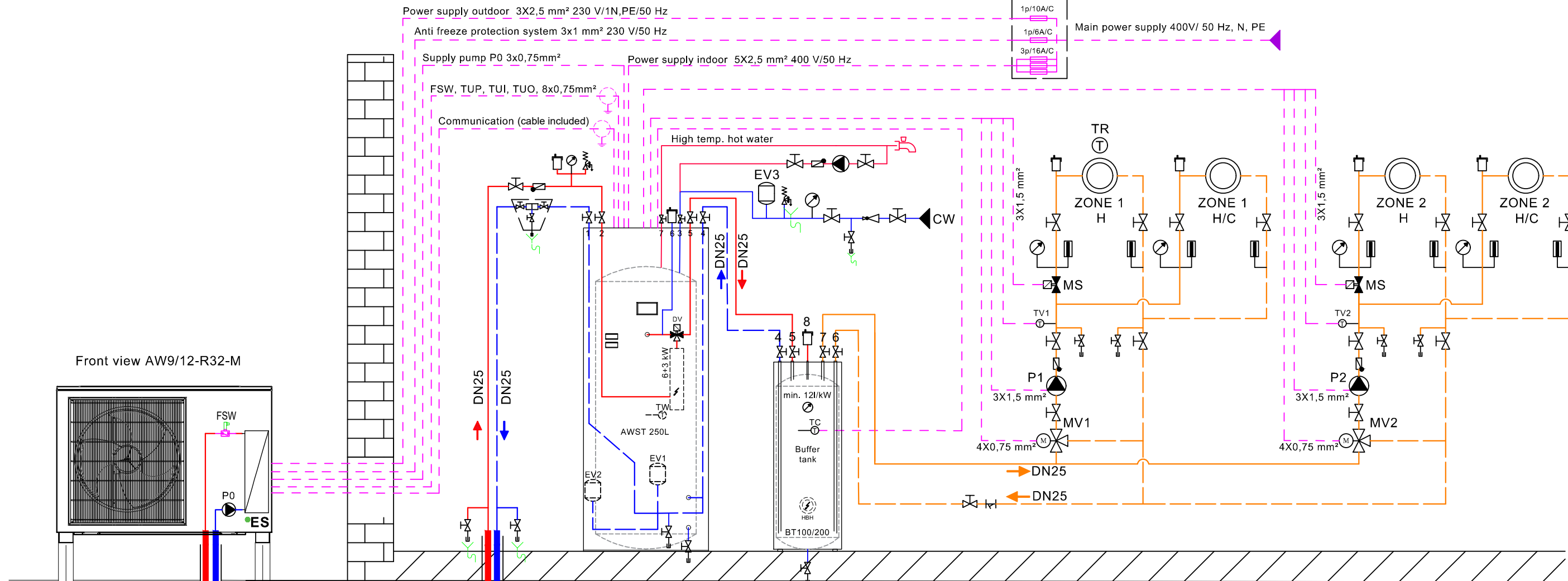
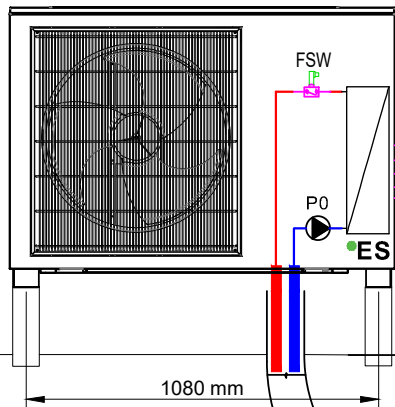


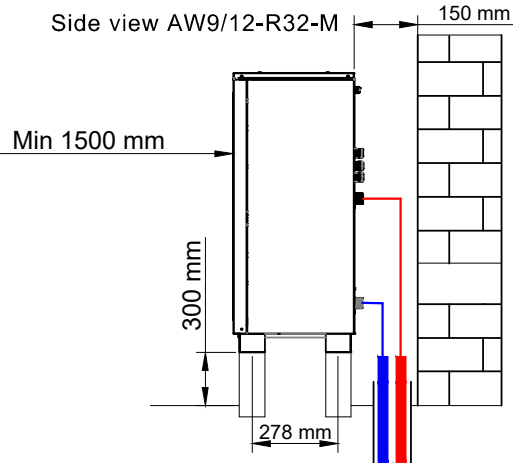
Legend:		Graphic symbol	
	HP Flow		Shut-off valve
	HP Return		Shut-off valve with check valve
	HC Flow		Shut-off valve with drainage
	HC Return		Check valve
	Domestic hot water		Shut-off valve with drainage
	Domestic water		Three-way diverting valve
	Refrigerant tube		Three-way mixing valve
	Refrigerant tube		Safety valve combination
	El. cable		Heat consumer
			Circulating pump
			Flexible pipe
			Thermometer
			Pressure regulator
			Flow switch
			Filter
			Overflow valve
			Temperature sensor
			Air vent
			Manometer
			Two-way valve
			4 way diverting valve
			Magnetic filter
			Runoff to the sewer system



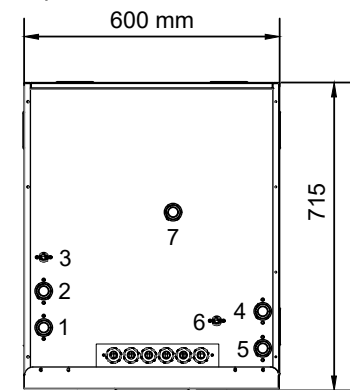
Front view AW9/12-R32-M



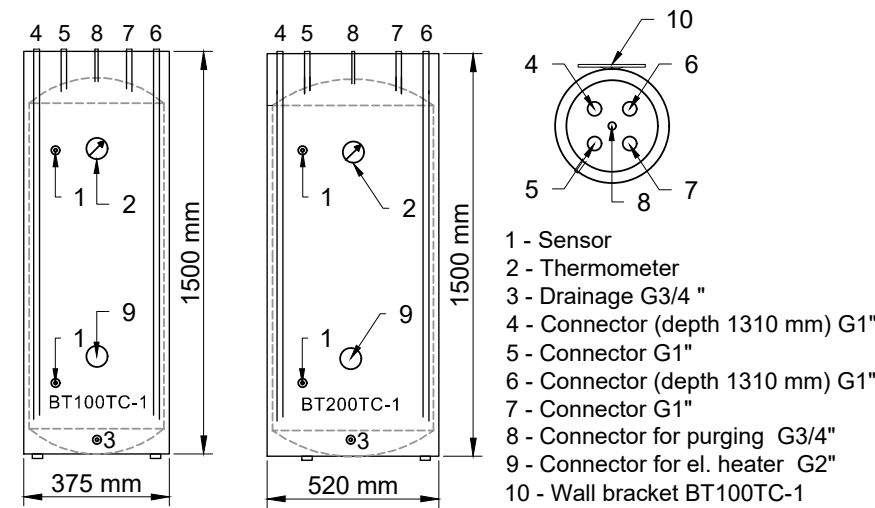
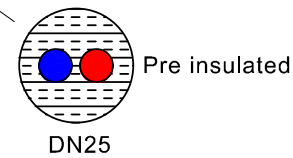
Side view AW9/12-R32-M



Top view indoor AWST6/15-R32-M



- 1 - Water outlet - to outdoor unit G1"
- 2 - Water inlet - from outdoor unit G1"
- 3 - Fresh cold - water inlet G3/4"
- 4 - Return line - heating system G1"
- 5 - Flow line - heating system G1"
- 6 - Automatic Air purging valve G1"
- 7 - Sanitary hot water outlet G1"



Classification of the Drawing/Klassifizierung/Klasifikacija risbe:	Date, Datum : 13.4.2022
Title/Title: AWST9/12-R32-M, BT100TC-1/BT200TC-1, 2 x mixing heating circuit, 2 x mixing heating/cooling circuit	Drawing ID/Zeichnungs ID/Oznaka risbe: Ver1
Naziv:	Revision/Prüfung/Revizija: MK