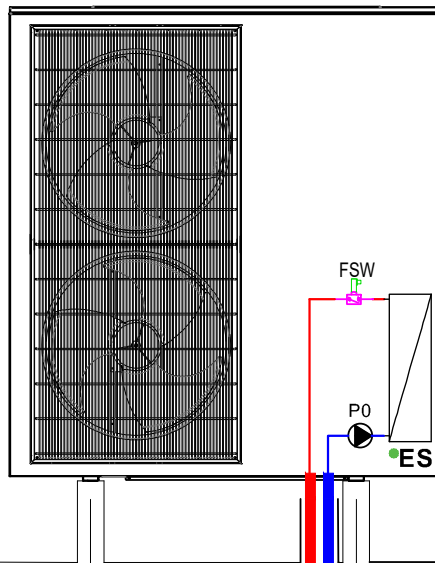
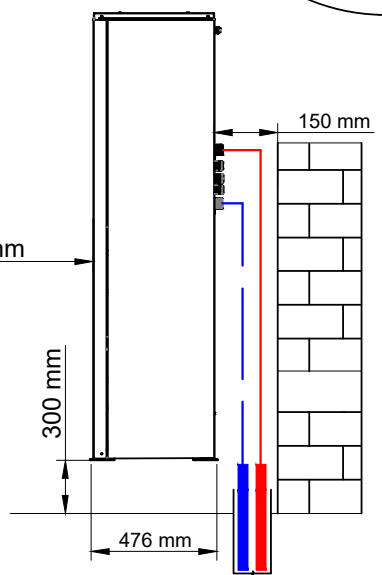


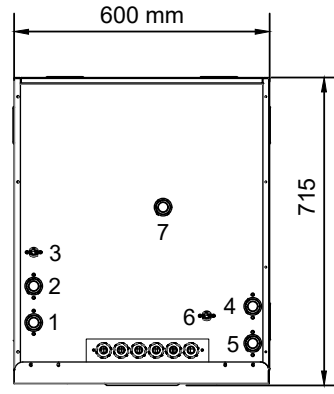
Front view AW15-R32-M



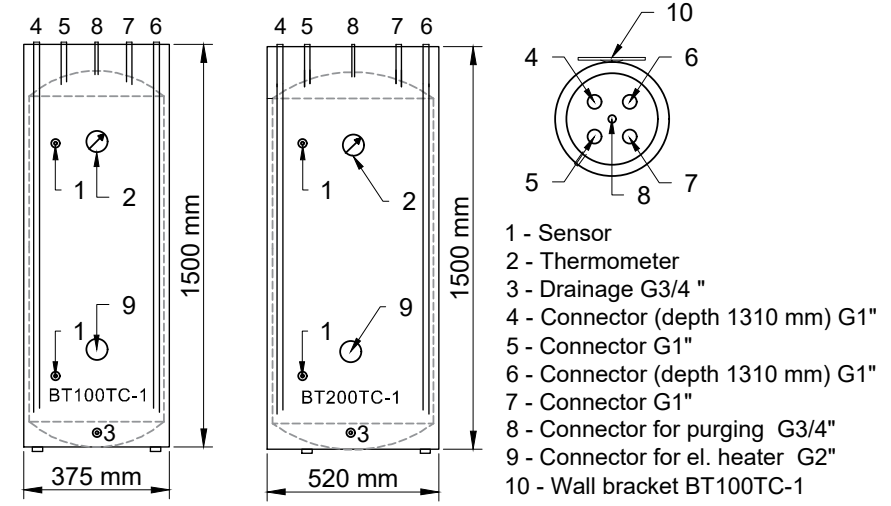
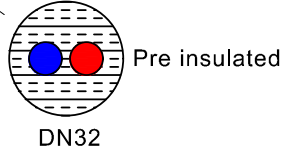
Side view AW15-R32-M



Top view indoor AWST6/15-R32-M



- 1 - Water outlet - to outdoor unit G1"
- 2 - Water inlet - from outdoor unit G1"
- 3 - Fresh cold - water inlet G3/4"
- 4 - Return line - heating system G1"
- 5 - Flow line - heating system G1"
- 6 - Automatic Air purging valve G1"
- 7 - Sanitary hot water outlet G1"



Classification of the Drawing/Klassifizierung/Klasifikacija risbe:	Date, Datum : 13.4.2022
ES	Drawing ID/Zeichnungs ID/ Oznaka risbe: Ver1
Title/Title: AWST15-R32-M, BT100TC-1/BT200TC-1, 1 x mixing heating/cooling circuit	Revision/Prüfung/Revizija: MK
Naziv:	